



STOVAX

STUDIO | air



**NEW**

AND EXCLUSIVE  
TO SHOWROOMS

**2020  
WINNER**

Best Heating &  
Plumbing Supplier



Homebuilding  
& Renovating  
Awards

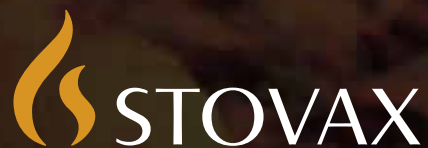
# A change is in the air

Welcome to the Stovax Studio Air – an Ecodesign Ready range of high-efficiency woodburning fires that redefines contemporary heating with unparalleled design and performance.

Designed to offer the ultimate in indulgence, the Studio Air combines the very best in innovation, style and fireside atmosphere, and is available in Freestanding and Cassette versions for a striking centrepiece, no matter which version you choose. Both formats are offered in two sizes, along with an array of modern styling options to complement your interior.

This luxury fire range is the result of decades of British fire design and expert craftsmanship, with every minute detail engineered with you in mind.

A change is truly in the Air.





*Studio Air 1 Icon XS with Black decorative trim. Cover image: Studio Air 2 Profil (4 sided) with White decorative trim.*

# Key FEATURES

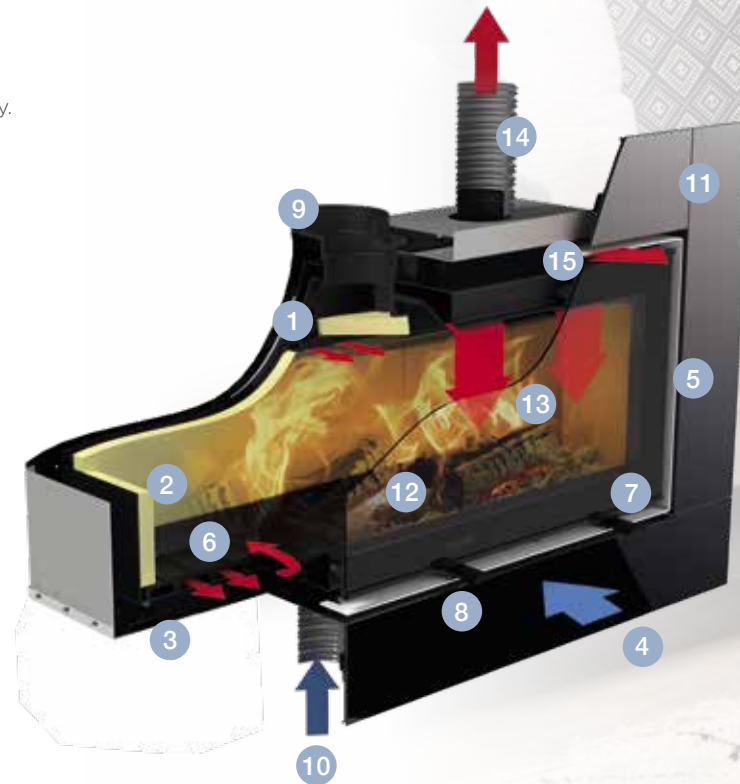
The Studio Air range incorporates the latest in dedicated woodburning technology, providing a wealth of features that allow them to burn with outstanding efficiency.

The range boasts state-of-the-art precision airflow combustion systems that ensure each model is DEFRA Smoke Control Area exempt as standard. Each Studio Air burns with minimal emissions, effortlessly exceeding Ecodesign standards.

A rapid start-up 'boost mode' makes it easy to ignite logs, even in a cold appliance. Whether you want a lazy flame, or a vivid roar, your Studio Air gives you full control over your fire thanks to its innovative and easy-to-use single air control, requiring only light operation for responsive and instant adjustment.

1. Using Cleanburn technology, tertiary air jets at the rear burn off hydrocarbons and particulate matter for cleaner combustion.
2. High-density firebricks and a dual-layered firebox construction provides strength and durability.
3. Cast iron base increases durability.
4. Primary air boosts from beneath the fuel bed from a single air chamber.
5. Coloured decorative trim options.
6. DEFRA Smoke Control Area exempt as standard. Removable base plate for easy access to smoke control settings.
7. Door can be reversed for left or right opening using optional reverse door hanging kit.
8. Single air control is easy to operate for instant flame adjustment, with no tools required for operation.
9. Easy flue connection.
10. Base or rear optional sealed external supply.\*
11. Wealth of framing options available for cassette models.
12. Low fuel bed for expansive and uninterrupted view of flames.
13. Powerful Airwash provides clear view of flames with secondary air flow.
14. Optional warm air ducting kit can introduce heat into a maximum of two alternative rooms.
15. Convected and radiant heat.
16. Cassette models can be hearth mounted (not illustrated) see page 17 for options.
17. Freestanding models feature built-in heat shields for reduced distance to combustibles (not shown).

	STUDIO AIR 1	STUDIO AIR 2
Nominal Heat Output	5.0kW	8.2kW
Efficiency	79.6%	78.5%
Energy Efficiency Class	A	A



\*Rear connection only for Freestanding models.



 VIEW THE VIDEO:  
[stovax.com/studioair](https://stovax.com/studioair)

*Studio Air 1 Freestanding with White decorative trim on 120 low stove bench*

# Designed FOR YOUR ENVIRONMENT

Ecodesign emission and heating efficiency regulations aim to improve air quality by minimising the level of permitted emissions from woodburning products.

With all models in the Studio Air range meeting and exceeding 2022 Ecodesign efficiency and emission standards, this outstanding range of woodburning fires has been designed with your environment in mind.

For detailed performance data, see page 10.



## A Focus on Air

One of the many desirable benefits to the contemporary Studio Air range is the ability to install all models with an optional dedicated external air kit. This kit allows the air needed for combustion to come directly from outside your building rather than through a vent into the room, eliminating draughts and enhancing overall heating efficiency.

The optional dedicated external air kit also means that each fire in the range exceeds some of the strictest air tightness criteria in the construction market.



## Urban Area Friendly

Many town and city homes are located in Smoke Control Areas as designated by the Clean Air Act 1993. All Cassette and Freestanding fires in the Studio Air range are approved for the burning of wood in these areas, with all models DEFRA Smoke Control Area exempt without the need for any additional kits. This means that even the most urban of homes can benefit from this natural fuel source.



## Encouraging Sustainable Woodland

We are working with Certainly Wood, our recommended Woodsure "Ready to Burn" fuel supplier who pride themselves on making an impact on environmental targets by championing sustainability.

When you register your new Studio Air, the Stovax Heating Group and Certainly Wood will jointly fund the planting of a tree. For more information, see page 27.

Our goal is to plant up to 10,000 new trees each year to make a tangible contribution to sustainable woodland creation.



## High Efficiency

All Studio Air fires have been designed to burn with high thermal efficiency, minimising the loss of heat energy during combustion. Every model in this brochure is subject to European energy labelling standards and we are proud that all are rated as 'A' energy class appliances across the entire range.

## Burning Wood

The Studio Air range is designed for burning wood only. Unlike fossil fuels, wood combustion releases approximately the same amount of carbon dioxide into the atmosphere as was absorbed during a tree's growth, offering a virtually carbon neutral fuel source. Furthermore, when sourced from well-managed and sustainable woodland, wood makes a great renewable energy solution.

Choosing a high efficiency Studio Air is a great step towards burning responsibly. To ensure your appliance provides optimum heating performance, only seasoned logs with a low moisture content should be burnt. Logs should be seasoned for at least two years or more to achieve a moisture content between 15-20%, which can be easily checked with a moisture meter.

Find out more about responsible burning at:  
**[stovax.com/GreenBritain](http://stovax.com/GreenBritain)**



# SIT BACK & relax

Stovax's dedication to the development of premium quality stoves and fireplaces over the past 40 years has helped to make it one of the UK and Europe's leading specialist manufacturers.



**AIR** the new exclusive

## Expert Retailer Network

We take great care to ensure that our fires are designed, tested and manufactured to the highest possible quality and safety standards. We are just as concerned to make certain that they are sold and installed correctly so that you enjoy years of pleasure from your purchase.

Accordingly, you will find our products are only available from experienced, independent retailers who will be happy to show you a selection of models locally in their showrooms, often fully operational.

These independent retailers will discuss your individual requirements both technical (such as sizing the heat output to your room and advising on your chimney system) and visual, ensuring that you select the most appropriate product for your home. They will also be able to advise on, or assist with, the installation process as well as help provide any after-sales support and servicing your appliance may require in the future.

---

You can find your nearest retailer by visiting:  
[www.stovax.com/retailers](http://www.stovax.com/retailers)



---

Whilst we encourage our retailers to promote fireplace products and their outlets via the internet, we do not believe suitable levels of customer care and satisfaction can be obtained from purchasing the product only online and we would strongly recommend that you consider this when undertaking your research and making a purchasing decision. Furthermore, please be aware that we do not offer technical support (beyond our statutory responsibilities) to products bought via nationwide online sales, where this support would normally be offered by one of our qualified, independent retailers.

## Extended Warranty

When you choose a Studio Air, quality and technology are assured. Accordingly, when you purchase your new fire from a Stovax Approved Expert Retailer, they will provide you with a Two Year Warranty. This can be extended to a Five Year Warranty provided your product has been registered with Stovax. During the registration process, the Expert Retailer details will be required for your Extended Warranty to be activated.

Please note, this warranty excludes certain consumable parts and is dependent on your appliance being serviced by an appropriately qualified person 12 months after installation, and annually thereafter. Stoves and fires purchased outside of Stovax's Expert Retailer Network will carry a standard 12 month, non-extendable warranty. Full details of this warranty is set out to view on our website at [www.stovax.com](http://www.stovax.com).



## See Studio Air fires burning

While we have captured this beautiful fire in a host of aspirational images in this brochure, to truly experience this stunning range, view the Studio Air video on our website.



# SIZE & STYLING *Options*

Studio Air fires are available in two formats – cassette fires, which are built into the wall, and freestanding models, for a standalone stove aesthetic. Both formats can be selected in two different sizes: the 1, and wider 2. Across both formats, the Studio Air can be selected with three different choices of decorative trims, including Black, Storm Grey and White.

## Studio Air Size Options



*Studio Air 1 Profil (4 sided) with White decorative trim*



*Studio 1 Edge with Black decorative trim*



*Studio 2 Edge with White decorative trim*

	STUDIO AIR 1	STUDIO AIR 2
<b>Nominal Heat Output</b>	5.0kW	8.2kW
<b>Heat Output Range</b>	1.7kW - 7kW	2.8 - 11.0kW
<b>Efficiency</b>	79.6%	78.5%
<b>Energy Efficiency Class</b>	<b>A</b>	<b>A</b>
<b>Ecodesign Ready</b>	✓	✓
<b>Maximum Log Length</b>	300mm	400mm
<b>Dimensions* mm (w x h x d)</b>	783 x 452 x 348mm	983 x 478 x 348mm
<b>Flue Connection (internal diameter)</b>	152mm	152mm
<b>Freestanding Stove Model Available</b>	✓	✓

*For detailed technical information, including firebox dimensions see page 24.*

*\*Dimensions given are those overall visible upon installation*

*See pages 20 - 23 & 25 for Freestanding dimensions.*

## Decorative Trim options



*Black decorative trim*



*Storm Grey decorative trim*



*White decorative trim*

All models can be selected with a Black, Storm Grey or White decorative trim, which can be changed for another colour at any time even after installation.

## Frame options



*Studio Air Edge*



*Studio Air Edge+*



*Studio Air Profil (3 Sided)*



*Studio Air Profil (4 Sided)*



*Studio Air Icon XS*

## Studio Air Freestanding Fires (p20 - p23)

Guaranteeing a range of choice for many interiors, the Studio Air is available in a selection of Freestanding Fires which can either be installed in a fireplace, freestanding against a wall, or mounted on a stove bench.



*Studio Air 1 Freestanding with Black decorative trim*



*Studio Air 2 Freestanding with White decorative trim*



*Studio Air 1 Freestanding with Storm Grey decorative trim and optional reverse door hanging kit*



# Edge



VIEW THE VIDEO:  
[stovax.com/studioair](http://stovax.com/studioair)

**HIGH EFFICIENCY**  
 UP TO 79.6% 



*Studio Air 1 Edge with Storm Grey decorative trim and optional reverse door hanging kit. Shown with wood-effect ceramic tile.*

Studio Air cassette fires come as a seamless no-frame Edge design as standard. This frameless aesthetic offers minimalist modern perfection and creates a truly breathtaking hole-in-the-wall centrepiece.

	Nominal Heat Output	Efficiency	Energy Efficiency Class	Ecodesign Ready#	Maximum Log Length	Edge Frame Size mm (w x h)
<b>Studio Air 1</b>	5kW (1.7kW - 7kW)	79.6%		✓	300mm	778 x 450mm
<b>Studio Air 2</b>	8.2kW (2.8 - 11kW)	78.5%		✓	400mm	978 x 476mm

#Please see page 6 for more information

Further technical information can be found on page 24.



# Edge+ FRAME



VIEW THE VIDEO:  
[stovax.com/studioair](http://stovax.com/studioair)

**HIGH EFFICIENCY**  
 UP TO 79.6% 



Studio Air 1 Edge+ with Storm Grey decorative trim

Making for easy finishing around your Studio Air, the Edge+ provides a similar minimalist finish to the Edge, but with a narrow frame that overlays the surrounding wall surface. This ensures your fire still retains that sleek hole-in-the-wall look, but with the clean lines of a neat steel border that hides plastering imperfections and offers a perfectly crisp finish around the installation opening.

	Nominal Heat Output	Efficiency	Energy Efficiency Class	Ecodesign Ready#	Maximum Log Length	Frame Size mm (w x h)
Studio Air 1	5kW (1.7kW - 7kW)	79.6%		✓	300mm	817 x 488
Studio Air 2	8.2kW (2.8 - 11kW)	78.5%		✓	400mm	1017 x 514

#Please see page 6 for more information.

Further technical information can be found on page 24.







# Profil FRAME

VIEW THE VIDEO:  
[stovax.com/studioair](http://stovax.com/studioair)

HIGH EFFICIENCY  
 UP TO 79.6% 



Studio Air 1 Profil (3 sided) with White decorative trim and optional reverse door hanging kit

With a timeless black finish that suits a wide variety of interiors, the Profil frame offers both style and versatility. Aside from the classic four-sided frame, the Profil can be selected as a three-sided version allowing hearth mounted installation.

	Nominal Heat Output	Efficiency	Energy Efficiency Class	Ecodesign Ready <sup>#</sup>	Maximum Log Length	Frame Size mm 3 sided (w x h x d)	Frame Size mm 4 sided (w x h x d)
Studio Air 1	5kW (1.7kW - 7kW)	79.6%	A	✓	300mm	879 x 500 x 38mm	879 x 550 x 38mm
Studio Air 2	8.2kW (2.8 - 11kW)	78.5%	A	✓	400mm	1079 x 526 x 38mm	1079 x 576 x 38mm

<sup>#</sup>Please see page 6 for more information

See front cover, and pages 7, 10 & 25 for further images.  
 Further technical information can be found from page 24 onwards.





# Icon XS FRAME

VIEW THE VIDEO:  
[stovax.com/studioair](http://stovax.com/studioair)

HIGH EFFICIENCY  
 UP TO 79.6% 



Studio Air 1 Icon XS with Black decorative trim and optional reverse door hanging kit

With clean geometric lines and a black glass reflective finish, the Icon XS frame makes a bold statement and gives the impression of an even larger format fire whilst particularly complementing the decorative trim options.

	Nominal Heat Output	Efficiency	Energy Efficiency Class	Ecodesign Ready#	Maximum Log Length	Frame Size mm (w x h x d)
Studio Air 1	5kW (1.7kW - 7kW)	79.6%	A	✓	300mm	1081 x 752 x 39.5mm
Studio Air 2	8.2kW (2.8 - 11kW)	78.5%	A	✓	400mm	1281 x 778 x 39.5mm

#Please see page 6 for more information

See page 3 for further image.  
 Further technical information can be found from page 24 onwards.



# STUDIO AIR 1 *Freestanding*

VIEW THE VIDEO:  
[stovax.com/studioair](http://stovax.com/studioair)

**HIGH EFFICIENCY**  
 UP TO 79.6% 



The Studio Air 1 Freestanding offers heating performance of the cassette version, but with the presence of a standalone stove – and is also compatible with our range of stove benches (see pages 5 & 26). With its built-in heat shield, the 1 Freestanding provides significantly reduced minimum distance to combustibles, allowing greater scope for your installation aspirations and accommodating a wider range of materials in your design.

	Nominal Heat Output	Efficiency	Energy Efficiency Class	Ecodesign Ready#	Maximum Log Length	Dimensions mm (w x h x d)
<b>Studio Air 1 Freestanding</b>	5kW (1.7kW – 7kW)	79.6%	<b>A</b>	✓	300mm	809 x 481 x 382mm

#Please see page 6 for more information.

See page 5 for further images. Further technical information can be found from page 24 onwards.







# STUDIO AIR 2 *Freestanding*

VIEW THE VIDEO:  
[stovax.com/studioair](http://stovax.com/studioair)

**HIGH EFFICIENCY**  
 UP TO 78.5% 



*Studio Air 2 Freestanding with Black decorative trim*

The Studio Air 2 Freestanding offers an impressive heat output, ensuring an immense flame picture through its wide viewing window, and offers a heat shield for reduced distance to combustibles. For enhanced visual allure and grandeur, Studio Air Freestanding models are also compatible for mounting on a Stovax stove bench. More information can be found on page 26.

	Nominal Heat Output	Efficiency	Energy Efficiency Class	Ecodesign Ready#	Maximum Log Length	Dimensions (w x h x d)
<b>Studio Air 2 Freestanding</b>	8.2kW (2.8 - 11kW)	78.5%	<b>A</b>	✓	400mm	1009 x 506 x 382mm

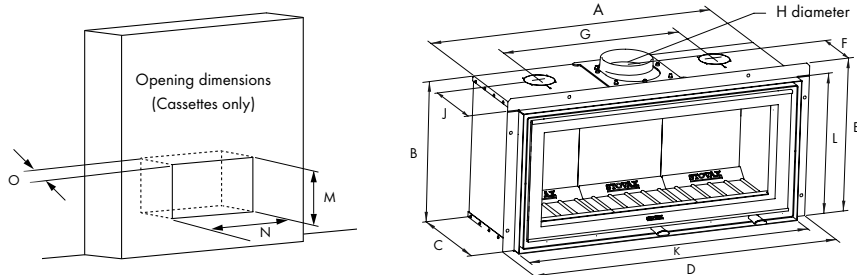
*#Please see page 6 for more information*

*See pages 11 & 26 for further images.  
 Further technical information can be found from page 24 onwards.*



# Further INFORMATION

## STUDIO AIR CASSETTE



CASSETTE DIMENSIONS

(all dimensions in mm)	Studio Air 1	Studio Air 2
A	783	983
B	452	478
C	348	348
D	855	1055
E	493	518
F	244	244
G	480	611
H ∅	152	152
J	240	240
K (Edge frame)	778	978
L (Edge frame)	450	476
M	460*/470	485*/495
N	800	1000
O	350	350
Flame Viewing Window (W x H)	590 x 259	790 x 284
<b>Weight</b>	<b>124Kg</b>	<b>153Kg</b>

\*When installed in a studwork frame. Larger dimension denotes masonry installation.

Select your size, decorative trim (required) and frame from the options below

### STUDIO AIR CASSETTE FIRE INFORMATION & PRODUCT CODES

Product Code	Description	Heat Output	Fuel Type	Efficiency	Energy Efficiency Class
326-018	Studio Air 1	5.0kW	Wood	79.6%	A
326-031	Studio Air 2	8.2kW	Wood	78.5%	A

### DECORATIVE TRIMS (REQUIRED)

#### STUDIO AIR 1 DECORATIVE TRIM

Product Code	Description
326-858	Studio Air 1 Decorative Trim - Black
326-866	Studio Air 1 Decorative Trim - White
326-874	Studio Air 1 Decorative Trim - Storm Grey

#### STUDIO AIR 2 DECORATIVE TRIM

Product Code	Description
326-883	Studio Air 2 Decorative Trim - Black
326-892	Studio Air 2 Decorative Trim - White
326-904	Studio Air 2 Decorative Trim - Storm Grey

### FRAME OPTIONS

#### STUDIO AIR 1 CASSETTE (All dimensions are in mm)

Product Code	Description	Width	Height	Depth
326-880	Edge+	817	488	3.5
326-891	Profil (3 Sided)	879	500	38
326-900	Profil (4 Sided)	879	550	38
326-912	Icon XS	1081	752	39.5

#### STUDIO AIR 2 CASSETTE (All dimensions are in mm)

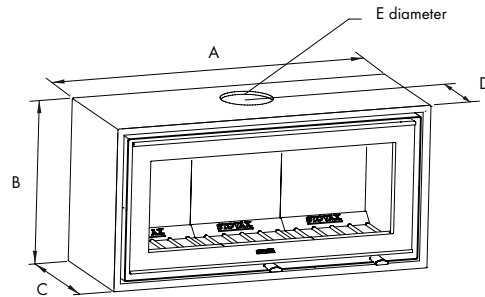
Product Code	Description	Width	Height	Depth
326-923	Edge+	1017	514	3.5
326-934	Profil (3 Sided)	1079	526	38
326-946	Profil (4 Sided)	1079	576	38
326-955	Icon XS	1281	778	39.5

### STUDIO AIR CASSETTE FIRE ACCESSORY PRODUCT CODES

Product Code	Description
326-802	External Air Combustion Kit
8572	Warm Air Ducting Kit
326-929	Reverse Door Hanging Kit

A HETAS approved installer should undertake a site survey prior to purchase and must install any Studio Fire or Stove. Your Stovax retailer will be able to advise on this and, in particular, the use of high temperature (1300°C) plaster/screed in the area around Studio Cassettes and Stoves. You may view/download complete installation instructions at our website - [www.stovax.com](http://www.stovax.com). These diagrams cover some of the basic requirements. All fires and stoves should be installed by a competent person to the requirement of Building Regulations (Document J) and include the fitting of adequate ventilation to ensure safe use. Usually older buildings do not need any additional ventilation for appliances up to 5kW, but modern houses will need additional ventilation in all cases. Some models can be fitted with an optional External Air Kit, or dedicated external air supply, offering a discreet and draught reducing solution to standard room venting. The diagrams and dimensions on these pages cover some of the basic requirements and are for initial information purposes only.

## STUDIO AIR FREESTANDING



(All dimensions are in mm)

	Studio Air 1 Freestanding	Studio Air 2 Freestanding
A	809	1009
B	481	506
C	382	382
D	234	234
E ∅	152	152
Flame visibility area (W x H)	590 x 259	790 x 284
<b>Weight</b>	<b>129Kg</b>	<b>159Kg</b>

Select your size and decorative trim (required) from the options below

### STUDIO AIR FREESTANDING INFORMATION & PRODUCT CODES

Product Code	Description	Heat Output	Fuel Type	Efficiency	Energy Efficiency Class
726-175	Studio Air 1 Freestanding	5.0kW	Wood	79.6%	A
726-181	Studio Air 2 Freestanding	8.2kW	Wood	78.5%	A

### DECORATIVE TRIMS (REQUIRED)

#### STUDIO AIR 1 TRIM

Product Code	Description
326-858	Studio Air 1 Decorative Trim - Black
326-866	Studio Air 1 Decorative Trim - White
326-874	Studio Air 1 Decorative Trim - Storm Grey

#### STUDIO AIR 2 TRIM

Product Code	Description
326-883	Studio Air 2 Decorative Trim - Black
326-892	Studio Air 2 Decorative Trim - White
326-904	Studio Air 2 Decorative Trim - Storm Grey

### STUDIO AIR FREESTANDING ACCESSORY PRODUCT CODES

Product Code	Description
326-802	External Air Combustion Kit
326-929	Reverse Door Hanging Kit



### Studio Air - Reverse Door Hanging Kit

On Studio Air models, the handle is located to the right of the door. Thanks to the kit, the door is reversible for opening on the left.



Studio Air 2 Profil (3 sided) with Black decorative trim and optional reverse door hanging kit

# STOVE *Benches*

These versatile steel benches are compatible with Stovax's freestanding contemporary stoves. With a variety of size options, they offer greater design possibilities to accommodate your individual styling requirements. You can even use the space beneath for log storage! <sup>Δ</sup>

- Sturdy Steel construction
- Choice of sizes available
- Durable Matt Black finish
- Proportioned 60mm wide legs
- Allows for central or offset stove positioning

Product Code	Product	W (mm)	H (mm)	D (mm)
RVACLB100BHT	Bench 100 Low	1000	250	420
RVACB100BHT	Bench 100 High	1000	350	420
RVACLB120BHT	Bench 120 Low	1200	250	420
RVACB120BHT	Bench 120 High	1200	350	420
RVACLB140BHT	Bench 140 Low	1400	250	420
RVACB140BHT	Bench 140 High	1400	350	420
RVACLB180BHT	Bench 180 Low	1800	250	465
RVACB180BHT	Bench 180 High	1800	350	465
RVACLB120BHT-DP	Bench 120 Low, (Deep)	1200	250	500
RVACB120BHT-DP	Bench 120 High (Deep)	1200	350	500
RVACLB140BHT-DP	Bench 140 Low, (Deep)	1400	250	500
RVACB140BHT-DP	Bench 140 High, (Deep)	1400	350	500
RVACLB180BHT-DP	Bench 180 Low, (Deep)	1800	250	500
RVACB180BHT-DP	Bench 180 High, (Deep)	1800	350	500

<sup>Δ</sup> Logs should only be stored beneath the bench if there is sufficient distance from the stove.



100 High (RVACB100BHT)



120 High (RVACB120BHT)



180 High (RVACB180BHT)



100 Low (RVACLB100BHT)



120 Low (RVACLB120BHT)



180 Low (RVACLB180BHT)



140 High (RVACB140BHT)



140 Low (RVACLB140BHT)



Studio Air 2 Freestanding with Black decorative trim on 140 high stove bench

# Exceeding ECODESIGN



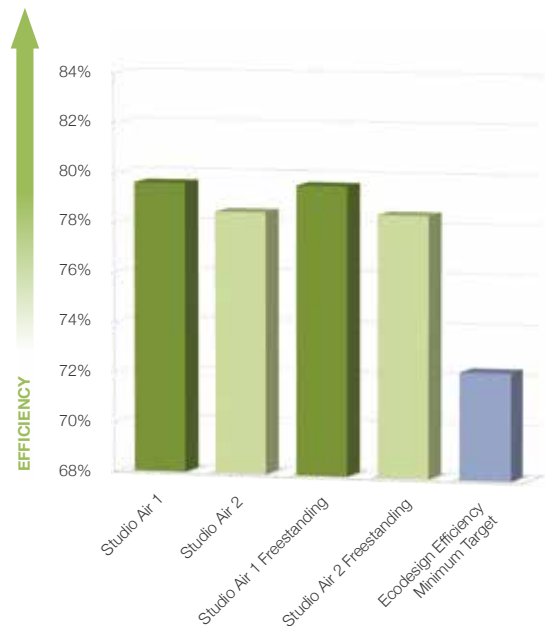
Designed with the very latest firebox engineering, our Ecodesign Ready woodburning and multi-fuel appliances represent the next generation of stove and fire design. Their low emission, high efficiency combustion systems ensure that substances present in smoke emissions such as Carbon Monoxide (CO), nitrogen oxides (NOX), organic gaseous compounds (OGC) and particulates (PM) are minimised.

Thanks to their eco-focused design, all Ecodesign stoves and fires easily pass Smoke Control Zone requirements making them suitable for installation in urban and rural areas alike.



## Total efficiency - %

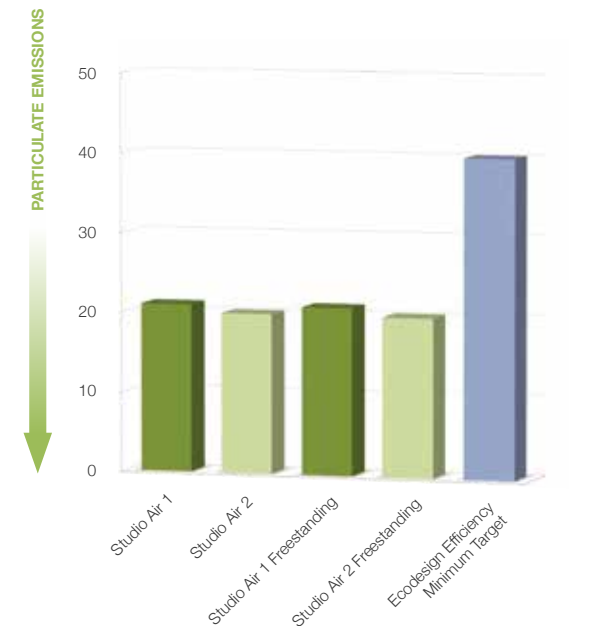
Balancing heating efficiency with cleanliness of burning is a precise science, requiring expert engineering and meticulous testing. Studio fires focus on delivering the cleanest burn possible whilst still surpassing the 2022 Ecodesign Efficiency target of 72.3%, resulting in a range of truly high efficiency products.



	Efficiency
Studio Air 1	79.6%
Studio Air 2	78.5%
Studio Air 1 Freestanding	79.6%
Studio Air 2 Freestanding	78.5%
Ecodesign 2022 Efficiency Minimum Target	72.3%

## PM (Particulate Matter) mg/m<sup>3</sup>

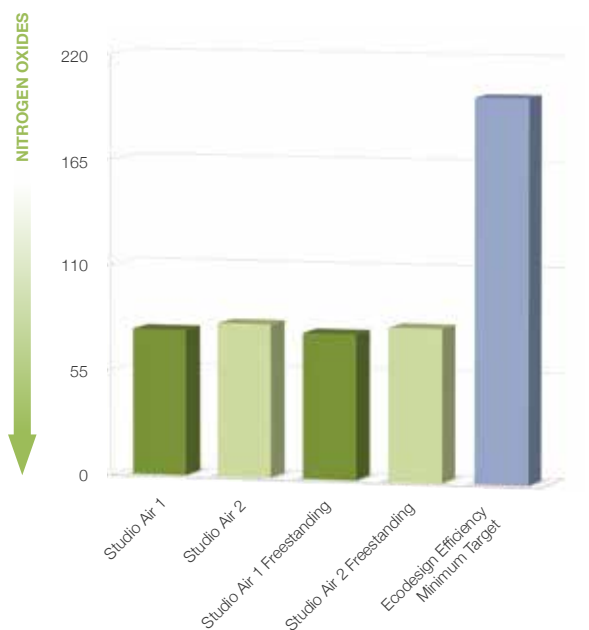
Although PMs are currently measured for UK smokeless zone requirements, the Ecodesign emission levels are much tighter than those currently permitted. Our Ecodesign Studio fires burn well below future PM targets, with some models generating only a third of the amount of permitted PM emissions.



	mg/m <sup>3</sup>
Studio Air 1	21
Studio Air 2	20
Studio Air 1 Freestanding	21
Studio Air 2 Freestanding	20
Ecodesign 2022 DIN + PM's Limit	40

## NOx (Nitrogen Oxides) mg/m<sup>3</sup>

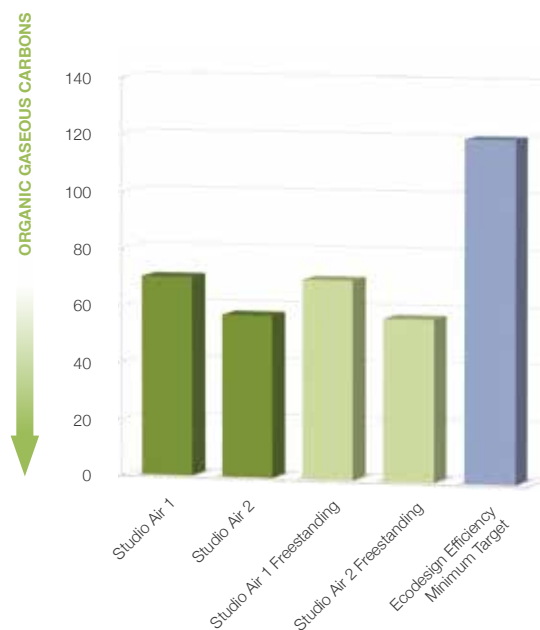
Nitrogen oxides affect air quality and are another emission requirement of Ecodesign. Ecodesign Ready Studio cassette and freestanding fires demonstrate NOx emissions well below the permitted levels.



	mg/m <sup>3</sup>
Studio Air 1	76
Studio Air 2	80
Studio Air 1 Freestanding	76
Studio Air 2 Freestanding	80
Ecodesign 2022 NOx Limit	200

## OGCs (Organic Gaseous compounds) mg/m<sup>3</sup>

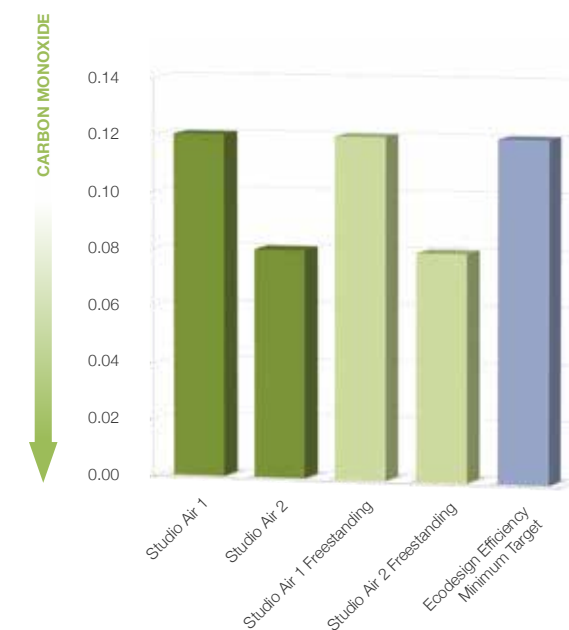
OGCs are an important requirement of the forthcoming 2022 Ecodesign standards. All Stovax Ecodesign Ready Studio emissions fall comfortably below this exacting target.



	mg/m <sup>3</sup>
Studio Air 1	70
Studio Air 2	57
Studio Air 1 Freestanding	70
Studio Air 2 Freestanding	57
Ecodesign 2022 OGCs Limit	120

## CO (Carbon Monoxide) % @ 13% O<sub>2</sub>

Ecodesign limits are set to dramatically reduce the current UK CO emission limits by a massive 88%, from 1% @ 13% O<sub>2</sub> to 0.12%. All Studio cassette and Freestanding fires meet this stringent forthcoming standard.



	% at 13% O <sub>2</sub>
Studio Air 1	0.12
Studio Air 2	0.08
Studio Air 1 Freestanding	0.12
Studio Air 2 Freestanding	0.08
Ecodesign 2022 CO Limit	1.00

# *Other Fires* AVAILABLE FROM STOVAX



*Vogue 700 Inset woodburning*



*Elise Glass 680 Edge woodburning*

In addition to the wide selection of fires shown in this brochure, Stovax offers a host of beautiful cassette and freestanding fires in their expansive woodburning and multi-fuel collection - all of which are covered in separate dedicated brochures for each range. Choose from a variety of designs, sizes and styling options to suit many different interior preferences, and be inspired for your next home project.

To view any of these brochures online and find out more, visit [www.stovax.com/brochures](http://www.stovax.com/brochures), or speak to your local Stovax retailer.







Stovax Ltd Falcon Road, Sowton Industrial Estate,  
Exeter, Devon, England EX2 7LF, info@stovax.com

[stovax.com](http://stovax.com)



Stovax gratefully acknowledges the assistance of the following companies with photographic settings:

[www.johnlewis.com](http://www.johnlewis.com); [www.originalstyle.com](http://www.originalstyle.com); [www.furniturevillage.com](http://www.furniturevillage.com);  
[www.lpdfurniture.co.uk](http://www.lpdfurniture.co.uk); [www.sofarooms.co.uk](http://www.sofarooms.co.uk); [www.nkuku.com](http://www.nkuku.com);  
[www.habitat.co.uk](http://www.habitat.co.uk); [www.amtico.com](http://www.amtico.com); [www.graceandgloryhome.co.uk](http://www.graceandgloryhome.co.uk);  
[www.loaf.com](http://www.loaf.com); [www.theorangetree.co.uk](http://www.theorangetree.co.uk); [www.mokodirect.com](http://www.mokodirect.com);  
[www.tomraffield.com](http://www.tomraffield.com); [www.industville.co.uk](http://www.industville.co.uk); [www.houseoffraser.co.uk](http://www.houseoffraser.co.uk);  
[www.amoslighting.co.uk](http://www.amoslighting.co.uk); [www.opiesuk.co.uk](http://www.opiesuk.co.uk); [www.oliverbonas.com](http://www.oliverbonas.com);  
[www.chunkymonkeyfurniture.co.uk](http://www.chunkymonkeyfurniture.co.uk); [www.desenio.com](http://www.desenio.com);  
[www.wallsandfloors.com](http://www.wallsandfloors.com)



**IMPORTATORE ESCLUSIVO PER L'ITALIA**

**OEKOTHERM** - stufe | camini | design

Via J. Durst - Kampan Center  
39042 Bressanone (BZ)  
tel. 0472 802090  
[www.oekotherm.it](http://www.oekotherm.it)  
[info@oekotherm.it](mailto:info@oekotherm.it)



# STOVAX



Stovax Ltd Falcon Road, Sowton Industrial Estate,  
Exeter, Devon, England EX2 7LF, info@stovax.com

[stovax.com](http://stovax.com)



Stovax gratefully acknowledges the assistance of the following companies with photographic settings:

[www.johnlewis.com](http://www.johnlewis.com); [www.originalstyle.com](http://www.originalstyle.com); [www.furniturevillage.com](http://www.furniturevillage.com);  
[www.lpdfurniture.co.uk](http://www.lpdfurniture.co.uk); [www.sofarooms.co.uk](http://www.sofarooms.co.uk); [www.nkuku.com](http://www.nkuku.com);  
[www.habitat.co.uk](http://www.habitat.co.uk); [www.amtico.com](http://www.amtico.com); [www.graceandgloryhome.co.uk](http://www.graceandgloryhome.co.uk);  
[www.loaf.com](http://www.loaf.com); [www.theorangetree.co.uk](http://www.theorangetree.co.uk); [www.mokodirect.com](http://www.mokodirect.com);  
[www.tomraffield.com](http://www.tomraffield.com); [www.industville.co.uk](http://www.industville.co.uk); [www.houseoffraser.co.uk](http://www.houseoffraser.co.uk);  
[www.amoslighting.co.uk](http://www.amoslighting.co.uk); [www.opiesuk.co.uk](http://www.opiesuk.co.uk); [www.oliverbonas.com](http://www.oliverbonas.com);  
[www.chunkymonkeyfurniture.co.uk](http://www.chunkymonkeyfurniture.co.uk); [www.desenio.com](http://www.desenio.com);  
[www.wallsandfloors.com](http://www.wallsandfloors.com)



**IMPORTATORE ESCLUSIVO PER L'ITALIA**

**OEKOTHERM** - stufe | camini | design

Via J. Durst - Kampan Center  
39042 Bressanone (BZ)  
tel. 0472 802090  
[www.oekotherm.it](http://www.oekotherm.it)  
[info@oekotherm.it](mailto:info@oekotherm.it)



 STOVAX

# STUDIO

INSET & FREESTANDING FIRES



Homebuilding  
& Renovating  
**AWARDS**  
2021

**WINNER**  
Heating & Plumbing  
Supplier of the Year

★★★★★

# UNPARALLELED PRESENCE

The Stovax Studio range balances presence with high efficiency heating performance.

Designed to offer the ultimate in woodburning flame visuals and controllability, this peerless range of contemporary fires will bring gravity and style to your interior.

Studios come in two formats: cassette fires with an array of styling options, or bold, freestanding fire versions. Both offer a choice of size options to suit your requirements.

Whichever Studio you choose, you can be sure your fire represents the cutting-edge of British fire design, engineering and technical innovation.





# STUDIO | HIGH EFFICIENCY FIRES



Stovax Studio fires feature the very latest cleanburn combustion systems, allowing them to burn logs with outstanding efficiency, resulting in more heat delivery into the room and less going up the chimney. This technological advancement is achieved by introducing preheated, secondary air into the firebox to burn the excess hydrocarbons in the smoke. Airwash air flow also helps keep the window clean, allowing you to enjoy the flames to the full.

Whether you choose a cassette or freestanding fire, your Studio will offer you full control of the flame aesthetics. From a lazy roll to a lively roar, you can adjust your fire to suit your mood. The doors on the Studio 500, 1 and 2 are hinged to the left whilst the larger Studio 3 doors open downwards, minimising the risk of ash falling beyond the hearth and into the room.



## Studio Key Design Features

1. TCL (Technical Combustion Lining) High density thermal liner system
2. Heated air jets from cleanburn ports burn hydrocarbons in smoke
3. Airwash air flow for cleaner glass
4. Primary control with high setting for lighting & re-fueling
5. Removable handle (Studio 500, 1, 2 & 3) and door opening catch (Studio 500, 1 & 2)
6. Convected and radiant heat
7. Convected heat ducting system outlet
8. Easy fit flue connection
9. Removable steel and TCL baffles
10. External air facility <sup>◊</sup>
11. Optional fan kit (2 & 3 cassettes only)
12. Optional 10° flue outlet (cassettes only - not illustrated)
13. Optional Warm Air Ducting Kit for multi-space heating (cassettes only - not illustrated)
14. Smoke Control Approved (Studio 500, 1 & 2 - Duplex requires Smoke Control Kit)
15. Ecodesign Ready models<sup>^</sup>



Registered European Design 001169338

\* Illustration shows cassette fire with frame.

† When fitted with an Optional External Air Kit

◊ Fully sealed external air facility only on the Duplex model, open external air facility on all other cassette models.

<sup>^</sup> Studio 500, 1, 2, & 3 cassette & freestanding fires only. See pages 42 to 43 for more information.



## Key Options & Accessories:

- External air kit for all single sided cassettes ..... RVS-AIR
- External air kit for Studio 2 Duplex ..... RVST-2DSAIRHT
- Studio 2/3 Fan-assisted convection kit (240v) ..... RVST-LFAN
- Warm air ducting kit\* ..... 8572
- 10° angled flue outlet\*\* ..... RVS-CA7589
- Smoke Control Kit - Studio 2 Duplex ..... RVS-2DSSCKIT

\* See page 46 for details.

\*\* See page 39 for details.

## Optional Fan Kit

Installing the optional fan kit into your Studio 2 or 3 cassette fire helps circulate combustion air, increasing burning efficiency and providing greater heat delivery into the room. With both manual and automatic settings, the fan kit is conveniently operated by the Studio Control Panel.





## STUDIO CASSETTES

Edge and Cool Wall	14
Edge+	16
Profil	18
Bauhaus	20
Steel & Steel XS	22
Glass	24

## STUDIO DUPLEX

Duplex	26
--------	----

## STUDIO FREESTANDING

500 Freestanding	30
1 Freestanding	32
2 Freestanding	34
3 Freestanding	36

Technical information for Studio fires can be found on pages 38 - 46.





# SIT BACK & RELAX...

Stovax's dedication to the development of premium quality stoves and fireplaces over the past 40 years has helped to make it one of the UK's and Europe's leading specialist manufacturers.

## Expert Retailer Network

We take great care to ensure that our fires are designed, tested and manufactured to the highest possible quality and safety standards. We are just as concerned to make certain that they are sold and installed correctly so that you enjoy years of pleasure from your purchase.

Accordingly, you will find our products are only available from experienced, independent retailers who will be happy to show you a selection of models locally in their showrooms, often fully operational. These independent retailers will discuss your individual requirements both technical (such as sizing the heat output to your room and advising on your chimney system) and visual; and ensure that you select the most appropriate product for your home. They will also be able to advise on, or assist, with the

installation process as well as help provide any after-sales support and servicing your appliance may require in the future.

Whilst we encourage our retailers to promote fireplace products and their outlets via the internet, we do not believe suitable levels of customer care and satisfaction can be obtained from purchasing the product only online and we would strongly recommend that you consider this when undertaking your research and making a purchasing decision. Furthermore, please be aware that we do not offer technical support (beyond our statutory responsibilities) to products bought via nationwide online sales, where this support would normally be offered by one of our qualified, independent retailers.

You can find your local retailer by visiting: [www.stovax.com/find-a-retailer](http://www.stovax.com/find-a-retailer)



## Extended Warranty



When you choose a Studio fire, quality and technology are assured. Accordingly, when you purchase your new fire from a Stovax Expert Retailer they will provide you with a Two Year Warranty. This can then be extended to a Five Year Warranty provided your Studio fire is registered with Stovax. Fires purchased outside Stovax's Expert Retailer Network will carry a standard 12 month warranty. Further details of this warranty are on page 46.

**WIN** the cost of your product back!

by registering your product online for your free extended warranty. See page 45 for details.

# DESIGNED FOR OUR ENVIRONMENT

## Ecodesign Ready Stoves and Fires

New emission and heating efficiency regulations will be introduced for UK and Irish wood burning stoves and fires manufactured after 2022. These tough new standards aim to improve air quality by limiting the level of permitted emissions from woodburning products.



We began developing Ecodesign compliant woodburning and multi-fuel products years ahead of many stove and fire manufacturers, and launched our first Ecodesign Ready range in 2015. We now offer the largest range of Ecodesign Ready stoves and fires in the UK and Ireland.

Studio 500, 1, 2 & 3 Cassette and Freestanding fires meet and exceed 2022 Ecodesign efficiency and emission standards and have been designed to burn wood with optimum efficiency and minimal emissions. They represent the next generation of woodburning stoves and fires, and will provide you with a modern and practical heating solution for your home.

## Urban Area Approved

Many town and city homes are located in Smoke Control Areas as designated by the Clean Air Act 1993. The Studio 500, 1 & 2 Cassette and Freestanding fires have been approved for the burning of wood in these areas.

The Studio 2 Duplex has also been approved when fitted with the appropriate Smoke Control kit, meaning that even the most urban of homes can benefit from this natural fuel source.



## High Efficiency

All Studio fires have been designed to burn with high thermal efficiency, minimising the loss of heat energy during combustion. Every model in this brochure is subject to European energy labelling standards and almost all are rated as either A or A+ energy class appliances. Energy class and efficiency information is listed on each stove's product page for easy reference.

## Encouraging Sustainable Woodland

We are working with Certainly Wood, our recommended Woodsure "Ready to Burn" fuel supplier who pride themselves on making an impact on environmental targets by championing sustainability. When you register your new Studio, the Stovax Heating Group and Certainly Wood will jointly fund the planting of a tree. For more information, see page 45.

Our goal is to plant up to 10,000 new trees each year to make a contribution to sustainable woodland creation.







Studio 3 Ecodesign Steel XS

# STUDIO | SIZE OPTIONS

Studio cassettes are available in five sizes including the double sided Studio 2 Duplex. Each Studio can be fitted with an Edge kit for a more minimalist appearance or with various frame options detailed overleaf. This brochure is organised by frame style - but your first decision is to identify the correct Studio size and heat output for your room, and then select the styling options to suit your home.

## Studio Sizes



Studio 500



Studio 1



Studio 2



Studio 2 Duplex (see pages 26 - 29 for further details)



Studio 3



Studio 2 Ecodesign Bauhaus in Metallic Black

	Nominal Heat Output	Heat Output Range	Maximum Efficiency	Energy Efficiency Class	Ecodesign Ready	Maximum Log Length	Dimensions* mm (w x h x d)	Freestanding Stove Model Available	Flue Connection (internal diameter)
Studio 500	5.0kW	1.7 - 7.0kW	75.8%	<b>A</b>	✓	250mm (10")	555 x 415 x 350	✓	153mm (6")
Studio 1	5.0kW	1.7 - 7.0kW	77.8%	<b>A</b>	✓	300mm (12")	745 x 415 x 350	✓	153mm (6")
Studio 2	8.5kW	2.8 - 11.0kW	76.3%	<b>A</b>	✓	400mm (16")	950 x 440 x 350	✓	153mm (6")
Studio 2 Duplex	9.0kW	3.5 - 12.0kW	75%	<b>A</b>	-	400mm (16")	950 x 550 x 402-414°	✗	153mm (6")
Studio 3	12.6kW	3.8 - 16.0kW	76.1%	<b>A</b>	✓	500mm (20")	1332 x 450 x 393	✓	153mm (6")

\* Firebox dimensions    † Adjustable depth

Please note the above information is an overview only. For further technical information please see pages 38 - 43.

# STUDIO | STYLING OPTIONS

These pages outline the different frame options available for the Studio fires, all of which are shown in detail throughout the brochure. From the frameless Edge to the impressive Glass, these frame options have all been designed specifically to complement the visuals of the Studio cassette and offer you a variety of different styles. There are also Freestanding versions so you can be sure to find a fire that will be perfect for your home, making your Studio a focal point that the whole family will warm to.

## Frame Summary

Styling Options	Pages	Studio 500	Studio 1	Studio 2	Studio 2 Duplex	Studio 3
Edge / Edge 'Cool Wall'	14 - 15	✓	✓	✓	✓	✓
Edge+	16 - 17	✓	✓	✓	✓	✓
Profil	18 - 19	✓	✓	✓	✓	✓
Bauhaus	20 - 21	✓	✓	✓	✓	✓
Steel	22 - 23	✓	✓	✓	✓	✓
Steel XS	22 - 23	✓	✓	✓	✓	✓
Glass	24 - 25	✓	✓	✓	✓	✓
Freestanding (Complete Product)	30 - 37	✓	✓	✓	-	✓



Studio Edge



Studio Freestanding



Studio Edge+



Studio Profil



Studio Glass



Studio Bauhaus



Studio Steel XS



Studio Steel





# STUDIO | EDGE & EDGE COOL WALL



Studio 3 Ecodesign Frameless Edge.

The Studio Edge is for those who require minimalist modern perfection. This contemporary fire has a seamless no-frame design, allowing your home's interior to frame and enhance the roaring flames. Combine this with the optional fan-assisted\* convection system and you can boost the flow of heat into your room whilst providing a beautiful focal point.

Further images of the Studio Edge are shown on pages 41 & 45.

\*Studio 2 and 3 cassette fires only



Fire Size	Nominal Heat Output & Range	Energy Efficiency Class	Ecodesign Ready	Max. Log Length	Edge Frame Size mm (w x h)	Edge 'Cool Wall' Frame Size mm (w x h)
Studio 500	5kW (1.7 - 7kW)	A	✓	250mm (10")	550 x 421*	550 x 428*
Studio 1	5kW (1.7 - 7kW)	A	✓	300mm (12")	743 x 421*	743 x 428*
Studio 2	8.5kW (2.8 - 11kW)	A	✓	400mm (16")	943 x 446*	943 x 453*
Studio 2 Duplex	9kW (3.5 - 12kW)	A	-	400mm (16")	943 x 457*	943 x 457*
Studio 3	12.6kW (3.8 - 16kW)	A	✓	500mm (20")	1330 x 451*	1330 x 463*

\*Dimensions given are those overall visible upon installation. Once installed, Edge kits are flush with the finished wall surface. Edge 'Cool Wall' kits are recessed 28mm (Studio 500, 1 & 2) or 13mm (Studio 3) from the finished surface.

For detailed technical information, including firebox dimensions see pages 38 - 44.

# STUDIO | EDGE+



Studio 1 Ecodesign Edge+

As a continuation from the Studio Edge, the Edge+ provides a similarly frameless 'hole in the wall' fire look, yet offers the additional benefit of a more simplified finishing process. A slim profile decorative frame, crafted from 1mm thick steel, overlays the finished wall surface and provides a perfectly crisp finish around the installation opening.

With a complementary Matt Black finish, the Studio Edge+ is a sophisticated and functional styling option that simply lets the fire's impressive flame picture provide all the aesthetic appeal!

**Frame Finish:** Metallic Black

Once installed, Edge kits are flush with the finished wall surface. Edge+ kits includes decorative frame

Fire Size	Nominal Heat Output & Range	Energy Efficiency Class	Ecodesign Ready	Max. Log Length	Frame Size mm (w x h x d)
Studio 500	5kW (1.7 - 7kW)	A	✓	250mm (10")	592 x 463 x 1*
Studio 1	5kW (1.7 - 7kW)	A	✓	300mm (12")	785 x 463 x 1*
Studio 2	8.5kW (2.8 - 11kW)	A	✓	400mm (16")	983 x 488 x 1*
Studio 2 Duplex	9kW (3.5 - 12kW)	A	-	400mm (16")	983 x 497 x 1*
Studio 3	12.6kW (3.8 - 16kW)	A	✓	500mm (20")	1372 x 493 x 1*

\*Dimensions given are those overall visible upon installation. For detailed technical information, including firebox dimensions see pages 38 - 44.





# STUDIO | PROFIL



Studio 1 Ecodesign Profil

The Studio Profil features timeless styling that fits in perfectly with virtually all interiors. In addition, by fitting the optional ducting system you can also heat up to two adjacent living spaces with your Studio 500, 1, 2 and 2 Duplex and up to four when you chose a Studio 3.

**Frame Finish:** Metallic Black

Fire Size	Nominal Heat Output & Range	Energy Efficiency Class	Ecodesign Ready	Max. Log Length	Frame Size mm (w x h x d)
Studio 500	5kW (1.7 - 7kW)	A	✓	250mm (10")	646 x 517 x 33
Studio 1	5kW (1.7 - 7kW)	A	✓	300mm (12")	839 x 517 x 33
Studio 2	8.5kW (2.8 - 11kW)	A	✓	400mm (16")	1039 x 542 x 33
Studio 2 Duplex	9kW (3.5 - 12kW)	A	-	400mm (16")	1089 x 592 x 33
Studio 3	12.6kW (3.8 - 16kW)	A	✓	500mm (20")	1426 x 547 x 45

For detailed technical information, including firebox dimensions see pages 38 - 44.





# STUDIO | BAUHAUS



Studio 3 Ecodesign Bauhaus in Polished Stainless Steel

The Studio Bauhaus is a classic three dimensional tapered frame. This frame comes is offered on all sizes of Studio fires, enabling you to perfectly match the Bauhaus to the size of your room.

Fire Size	Nominal Heat Output & Range	Energy Efficiency Class	Ecodesign Ready	Max. Log Length	Frame Size mm (w x h x d)
Studio 500	5kW (1.7 - 7kW)	A	✓	250mm (10")	657 x 528 x 36
Studio 1	5kW (1.7 - 7kW)	A	✓	300mm (12")	850 x 526 x 36
Studio 2	8.5kW (2.8 - 11kW)	A	✓	400mm (16")	1050 x 554 x 36
Studio 2 Duplex	9kW (3.5 - 12kW)	A	-	400mm (16")	1090 x 594 x 36
Studio 3	12.6kW (3.8 - 16kW)	A	✓	500mm (20")	1437 x 559 x 49

For detailed technical information, including firebox dimensions see pages 38 - 44.

**Frame Finish:** Metallic Black





# STUDIO | STEEL & STEEL XS



Studio 3 Ecodesign Steel

The Studio Steel is for those with large spaces who wish to create a greater presence with their choice of fireplace. Finished in Metallic Black, the Studio Steel's wide frame instantly creates a distinctive and individual focal point.

The Steel XS offers the same minimal styling of the Steel frame but with slimmer proportions to suit narrower walls or spaces. The Steel XS comes in smart Metallic Black finish.

**Frame Finish:** Metallic Black

Fire Size	Nominal Heat Output & Range	Energy Efficiency Class	Ecodesign Ready	Max. Log Length	Steel Frame Size mm (w x h x d)	Steel XS Frame Size mm (w x h x d)
Studio 500	5kW (1.7 - 7kW)	A	✓	250mm (10")	1010 x 567 x 3 <sup>^</sup>	688 x 567 x 3 <sup>^</sup>
Studio 1	5kW (1.7 - 7kW)	A	✓	300mm (12")	1203 x 567 x 3 <sup>^</sup>	881 x 567 x 3 <sup>^</sup>
Studio 2	8.5kW (2.8 - 11kW)	A	✓	400mm (16")	1439 x 622 x 3 <sup>^</sup>	1111 x 622 x 3 <sup>^</sup>
Studio 2 Duplex	9kW (3.5 - 12kW)	A	-	400mm (16")	1439 x 622 x 3 <sup>^</sup>	1111 x 622 x 3 <sup>^</sup>
Studio 3	12.6kW (3.8 - 16kW)	A	✓	500mm (20")	1926 x 647 x 3 <sup>^</sup>	1518 x 647 x 3 <sup>^</sup>

For detailed technical information, including firebox dimensions see pages 38 - 44.

<sup>^</sup>Depth from front of frame to wall when installed is 34mm for Studio 500, 1, 2, 2 Duplex and 48mm for Studio 3.



Please see page 10 for additional image of the Studio 3 Steel XS.



# STUDIO | GLASS



Studio 1 Ecodesign Glass

With its crisp lines and reflective surface, the Studio Glass offers you a complete focal point around which to create your very own distinctive decorative style.

This sleek frame is available in all Studio sizes, giving you the versatility to match your personal design and heating needs.

**Frame Finish:** Black Glass

Fire Size	Nominal Heat Output & Range	Energy Efficiency Class	Ecodesign Ready	Max. Log Length	Frame Size mm (w x h x d)
Studio 500	5kW (1.7 - 7kW)	A	✓	250mm (10")	1016 x 573 x 8 <sup>^</sup>
Studio 1	5kW (1.7 - 7kW)	A	✓	300mm (12")	1209 x 573 x 8 <sup>^</sup>
Studio 2	8.5kW (2.8 - 11kW)	A	✓	400mm (16")	1445 x 628 x 8 <sup>^</sup>
Studio 2 Duplex	9kW (3.5 - 12kW)	A	-	400mm (16")	1445 x 628 x 8 <sup>^</sup>
Studio 3	12.6kW (3.8 - 16kW)	A	✓	500mm (20")	1932 x 653 x 8 <sup>^</sup>

For detailed technical information, including firebox dimensions see pages 38 - 44.

<sup>^</sup>Depth from front of frame to wall when installed is 39mm for Studio 500, 1, 2, 2 Duplex and 53mm for Studio 3.





# STUDIO | DUPLEX

The Studio range has long been appreciated for its widescreen flame picture, high efficiency output and extensive selection of frame style choices. The Studio 2 Duplex offers a heat output of up to 9kW and exceptional views of the flames which can be enjoyed from two rooms at once creating an eye-catching feature and plenty of warmth and ambiance for your home.

The high efficiency, double-sided Studio 2 Duplex fire offers the ultimate stylish solution to practical dual space heating and a truly awe-inspiring focal point for your home.

## Key Features



1. TCL (Technical Combustion Lining) High density thermal liner system
2. Heated air jets from cleanburn ports burn hydrocarbons in smoke
3. Airwash air flow
4. Primary control
5. Removable handle and door opening catch
6. Convected and radiant heat
7. Convected heat ducting system outlet
8. Easy fit flue connection
9. Removable baffles
10. Optional fully sealed external air facility
11. Optional Smoke Control Kit (not illustrated)



Studio 2 Duplex Bauhaus in Metallic Black

## Duplex Frame Options

The Studio 2 Duplex has the benefit of dual styling possibilities, allowing you to select a different look for each side of the fire - offering double the impact in your home. Whether opting for a minimalist Edge look with its frameless design or the sparkling, reflective black Glass frame, there are a selection of frame styles that will attract the eye and enhance your two interior spaces. A selection of the stylish frame choices are shown overleaf, however for a complete frame style reference, please see page 12.

## External Air Supply

The Studio Duplex also benefits from an optional External Air Combustion Facility. By removing the need of an air vent in your room†, this offers a draught-free provision of air for combustion giving extra comfort to your home.

† Subject to a successful spillage test.







# STUDIO | DUPLEX



Studio 2 Duplex Edge

The Studio 2 Duplex offers unrivalled flame pictures in two rooms at once! With a wealth of frame options to choose from, the Duplex can be styled completely independently on either side to maximise your decorative options.

This high performance woodburning fire produces an impressive 9kW heat output at up to 75% efficiency.

**Frames Available:** Edge, Edge 'Cool Wall', Edge+, Profil, Bauhaus, Steel, Steel XS and Glass

Fire Size	Nominal Heat Output & Range	Energy Efficiency Class	Max. Log Length
Studio 2 Duplex	9kW (3.5 - 12kW)	A	400mm (16")

For detailed technical information, including firebox dimensions see pages 38 - 44.



# STUDIO | 500 FREESTANDING



*Studio 500 Freestanding Ecodesign on a Stovax 100 Low Bench.  
Also shown: Medium log holder also available from Stovax.*

This high performance freestanding Ecodesign fire has a compact, yet innovative design, broadening the Studio's versatility and suitability to a variety of homes.

With a heat output to match that of the Studio 1, the 500 will add ambiance and warmth to a cosy inglenook. It can also be teamed with a number of optional extras including the black glass top plate for a sleek and shining finish. The 500 can also be placed on one of our Stovax Benches to create a real style statement - see page 44 for further details

Nominal Heat Output & Range	5kW (1.7 - 7kW)
Energy Efficiency Class	<b>A</b>
Max. Log Length	250mm (10")
Stove Dimensions mm (w x h x d)	607 x 479 x 382

#### Key Options and Accessories

- Black Glass Top Plate
- Decorative Black Flue Ring Cover
- Decorative Square Section Flue Cover (215 x 1800 x 212mm - w x h x d)
- Stovax Stove Bench Compatible
- Heat Shield Kit (when fitted to a Stovax Bench)
- External Air Kit

*For detailed technical information, including firebox dimensions see pages 38 - 44.*







# STUDIO | 1 FREESTANDING



Studio 1 Freestanding Ecodesign with Black Glass Top Plate and Decorative Square Section Flue cover

The Studio 1 Freestanding incorporates the impressive firebox performance of a cassette fire with the welcoming presence of a stove. Available with a number of optional extras to help you create the right look for your home, the Studio 1 Freestanding can be hearth mounted or installed on a Stovax Bench. An optional heat shield kit can be fitted to the bench in order to reduce the distance to combustible materials if required.

Other styling options include a black glass top plate, square section flue covers and flue ring covers, all of which are designed to provide an integrated and cohesive look to your new fire.

See additional image on rear cover.

Nominal Heat Output & Range	5kW (1.7 - 7kW)
Energy Efficiency Class	<b>A</b>
Max. Log Length	300mm (12")
Stove Dimensions mm (w x h x d)	800 x 479 x 380

#### Key Options and Accessories

- Black Glass Top Plate
- Decorative Black Flue Ring Cover
- Decorative Square Section Flue Cover (215 x 1800 x 212mm - w x h x d)
- Stovax Stove Bench Compatible
- Heat Shield Kit (when fitted to a Stovax Bench)
- External Air Kit

For detailed technical information, including firebox dimensions see pages 38 - 44.



# STUDIO | 2 FREESTANDING



Studio 2 Freestanding Ecodesign on Stovax 140  
Low Bench with black flue ring cover

This Freestanding version of the Studio 2 offers you up to 8.5kW of heating capacity as well as superb views of the flames. Featuring exactly the same firebox attributes as other Studios, the Freestanding version may be mounted on a hearth or installed onto your choice of six optional Stovax Benches.

You can also specify options such as a black glass top plate and square section flue cover to create your own bespoke look. An optional heat shield kit can be fitted to the bench in order to reduce the distance to combustible materials if required.

See additional image on page 5.

Nominal Heat Output & Range	8.5kW (2.8 - 11kW)
Energy Efficiency Class	<b>A</b>
Max. Log Length	400mm (16")
Stove Dimensions mm (w x h x d)	1000 x 504 x 380

#### Key Options and Accessories

- Black Glass Top Plate
- Decorative Black Flue Ring Cover
- Decorative Square Section Flue Cover (215 x 1800 x 212mm - w x h x d)
- Stovax Stove Bench Compatible
- Heat Shield Kit (when fitted to a Stovax Bench)
- External Air Kit

For detailed technical information, including firebox dimensions see pages 38 - 44.







# STUDIO | 3 FREESTANDING



Studio 3 Freestanding Ecodesign with Black Glass Top Plate

This extraordinary freestanding fire offers the ultimate in flame visuals and designer impact. A massive, landscape firebox allows for a high efficiency heat output of 12.6kW, making the Studio 3 Freestanding the perfect choice for large living areas where presence and performance are key.

Designed to be sited on the optional Stovax 180 Bench, or hearth mounted to achieve the distinctive stove look, the Studio 3 Freestanding will create maximum visual impact in rooms of larger proportions. It also has the ability to be fitted with an optional rear heat shield to reduce the distance to combustible materials behind the appliance.

Nominal Heat Output & Range	12.6kW (3.8 - 16kW)
Energy Efficiency Class	<b>A</b>
Max. Log Length	500mm (20")
Stove Dimensions mm (w x h x d)	1389 x 516 x 445

#### Key Options and Accessories

- Black Glass Top Plate
- Decorative Black Flue Ring Cover
- Decorative Square Section Flue Cover (215 x 1800 x 212mm - w x h x d)
- Stovax Stove Bench Compatible
- Heat Shield Kit (when fitted to a Stovax Bench)
- External Air Kit

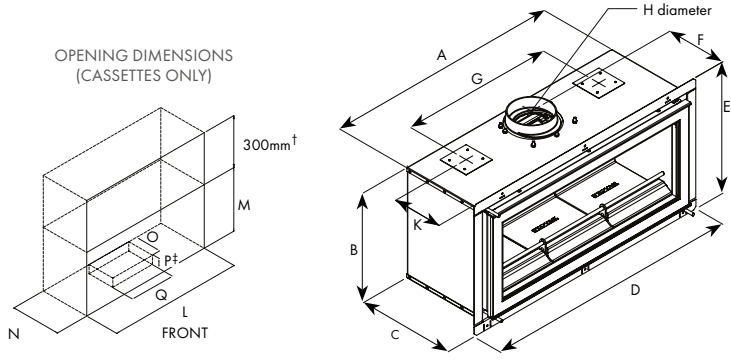
For detailed technical information, including firebox dimensions see pages 38 - 44.



# STUDIO | DIMENSIONS

A HETAS approved installer should undertake a site survey prior to purchase and must install any Studio Fire or Stove. Your Stovax retailer will be able to advise on this and, in particular, the use of high temperature (1300°C) plaster/screed in the area around Studio Cassettes and Stoves. You may view/download complete installation instructions at our website - [www.stovax.com](http://www.stovax.com). These diagrams cover some of the basic requirements. All fires and stoves should be installed by a competent person to the requirement of Building Regulations (Document J) and include the fitting of adequate ventilation to ensure safe use. Usually older buildings do not need any additional ventilation for appliances up to 5kW, but modern houses will need additional ventilation in all cases. Some models can be fitted with an optional External Air Kit, or dedicated external air supply, offering a discreet and draught reducing solution to standard room venting. The diagrams and dimensions on these pages cover some of the basic requirements and are for initial information purposes only.

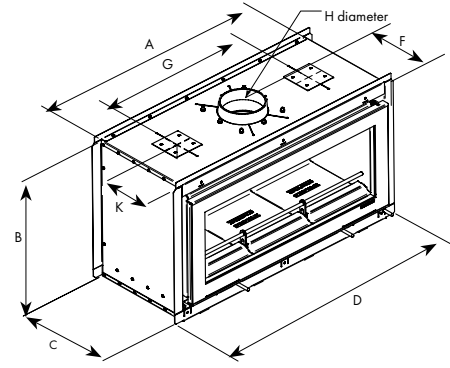
## CASSETTES



CASSETTE DIMENSIONS

(all dimensions in mm)	Studio 500	Studio 1	Studio 2	Studio 3
A	552	745	950	1332
B	415	415	440	450
C	350	350	350	393
D	628	821	1019	1406
E	497	497	522	532
F	246	246	246	291
G	380	480	610	610/1010*
H Ø	153	153	153	153
K	240	240	240	275
L	562	755	960	1342
M	435	435	460	470
N	355	355	355	405
O	100	100	115	115
P	25	25	25	25
Q	365	605	750	750
Flame Viewing Window (W x H)	397 x 263	590 x 263	790 x 289	1177 x 286
<b>Weight</b>	<b>88kg</b>	<b>91Kg</b>	<b>112Kg</b>	<b>175Kg</b>

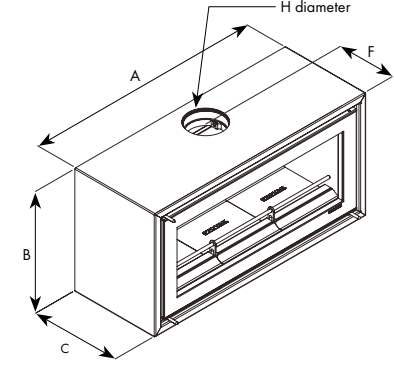
## DUPLEX



DUPLEX DIMENSIONS

Studio 2 Duplex
950
550
402 - 414♦
1020
-
200
610
153
200
-
-
-
-
-
-
-
-
790 x 289
<b>166Kg</b>

## FREESTANDING



FREESTANDING DIMENSIONS \*\*

Studio 500 FS	Studio 1 FS	Studio 2 FS	Studio 3 FS
607	800	1000	1389
479	479	504	516
382	380	380	445
-	-	-	-
-	-	-	-
260	260	260	325
-	-	-	-
153	153	153	153
-	-	-	-
-	-	-	-
-	-	-	-
-	-	-	-
-	-	-	-
-	-	-	-
-	-	-	-
397 x 263	590 x 263	790 x 289	1177 x 286
<b>95Kg</b>	<b>105Kg</b>	<b>130Kg</b>	<b>185Kg</b>

† Extra height required when fitting Warm Air Ducting kit. ‡ If a fan kit is required, please allow 250mm for fitting.

\* Studio 500 1, 2 & 2 Duplex models have two air duct outlets whilst Studio 3 models have four.

Please refer to installation manual for minimum distances to combustible materials.

The Studio 500 has been specifically designed to fit into a standard 22" British fireplace opening meaning additional building work is not required.

\*\* For complementary benches to go with the Freestanding models, please see information provided on page 44.

♦ Adjustable depth.

# STUDIO | INFORMATION

## STUDIO CASSETTE FIRE INFORMATION & PRODUCT CODES

Product Code	Description	Heat Output	Fuel Type	Efficiency	Energy Efficiency Class
RVST-500	Studio 500 Cassette Fire ✓	5.0kW	Wood	75.8%	A
RVST-1EU	Studio 1 Cassette Fire ✓	5.0kW	Wood	77.8%	A
RVST-2EU	Studio 2 Cassette Fire ✓	8.5kW	Wood	76.3%	A
RVST-2DSHT	Studio 2 Duplex Double Sided Cassette Fire ✓	9.0kW	Wood	75%	A
RVST-3EU	Studio 3 Cassette Fire	12.6kW	Wood	76.1%	A

✓ These models are approved for use in Smoke Control Areas as standard and do not require an additional Smoke Control Kit.

✓ The Studio 2 Duplex is approved for use in Smoke Control Areas when fitted with an optional Smoke Control Kit.

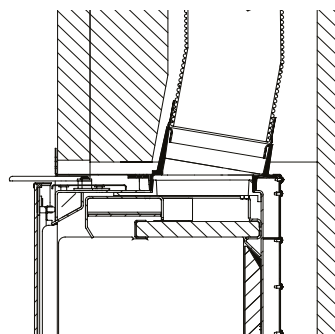
## STUDIO CASSETTE FIRE ACCESSORY PRODUCT CODES

Product Code	Description
RVS-AIR	External Air Combustion Kit (suitable for all single sided Studio cassettes)
RVST-2DSAIRHT	External Air Combustion Kit (suitable for Studio 2 Duplex only)
RVS-CA7589	10° Angled Flue Outlet (see below for information)
RVST-LFAN	Fan-assisted convection kit - Studio 2* & 3
8572	Warm Air Ducting Kit (suitable for all Studio Cassettes)
RVS-2DSSCKIT	Smoke Control Area Kit for Studio 2 Duplex

\* Not suitable for Studio 2 Duplex (Double Sided)

## STUDIO - 10° ANGLED FLUE OUTLET

This optional flue outlet for the Studio Cassettes offers greater installation flexibility and ease, especially in larger openings with deeper lintels.



## STUDIO FREESTANDING INFORMATION & PRODUCT CODES

Product Code	Description	Heat Output	Fuel Type	Efficiency	Energy Efficiency Class
RVFST-500	Studio 500 Freestanding ✓	5.0kW	Wood	75.8%	A
RVFST-1EU	Studio 1 Freestanding ✓	5.0kW	Wood	77.8%	A
RVFST-2EU	Studio 2 Freestanding ✓	8.5kW	Wood	76.3%	A
RVFST-3EU	Studio 3 Freestanding	12.6kW	Wood	76.1%	A

✓ These models are approved for use in Smoke Control Areas as standard and do not require an additional Smoke Control Kit.

## STUDIO FREESTANDING ACCESSORY PRODUCT CODES

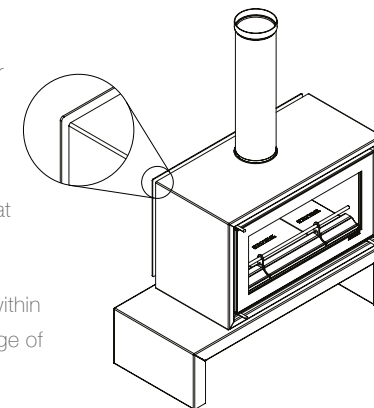
Product Code	Description
RVFS-SFCO	Square section decorative flue cover (215 x 1800 x 212mm - w x h x d)
RVFS-500GB	Black Glass Top Plate - Studio Freestanding 500
RVFS-1GB	Black Glass Top Plate - Studio Freestanding 1
RVFS-2GB	Black Glass Top Plate - Studio Freestanding 2
RVFS-3GB	Black Glass Top Plate - Studio Freestanding 3
RVAC220B	6" Decorative Black Flue Collar Cover for Studio Freestanding**
RVFS-500HSK	Heat Shield Kit - Studio Freestanding 500
RVFS-1HSK	Heat Shield Kit - Studio Freestanding 1
RVFS-2HSK	Heat Shield Kit - Studio Freestanding 2
RVFS-3HSK	Heat Shield Kit - Studio Freestanding 3
RVS-AIR	External Air Combustion Kit

\*\* Decorative flue collar covers are only suitable when no optional Black Glass Top Plate is used.

## STUDIO FREESTANDING HEAT SHIELDS

Stovax has introduced a range of highly effective Heat Shields for the Studio Freestanding range. Available for all sizes of Freestanding models: Studio 500, 1, 2 and 3, and only when fitted to a Stovax Bench, these fantastic additions allow a reduction of up to 85% in the distance to combustible materials at the rear of the appliance – reducing this to just 75mm.

The Studio Heat Shields not only maximise the available space within the room, but they also enable you to accommodate a wider range of materials in your interior design.



# STUDIO | FRAME INFORMATION

## STUDIO 500 FRAME DIMENSIONS (MM) & PRODUCT CODES

Product Code	Description	Width	Height	Frame Depth	Off-wall Depth
RVS-500FPRO4	Profil ◊ (Metallic Black)	646	517	33	-
RVS-500FSTHT	Steel ◊ (Metallic Black)	1010	567	3	34
RVS-500FSTXS	Steel XS (Metallic Black)	688	567	3	34
RVS-500FGBHT	Glass ◊	1016	573	8	39
RVS-500FB	Bauhaus (Metallic Black)	657	528	49	-
<b>Options</b>					
RVS-500FEK	Edge Kit	696	567	34*	-
RVS-500FCWK	Edge 'Cool Wall' Kit	700	578	59**	-
RVS-500FEPLUS	Edge+ Kit†	700	573	34#*	-

## STUDIO 1 FRAME DIMENSIONS (MM) & PRODUCT CODES

Product Code	Description	Width	Height	Frame Depth	Off-wall Depth
RVS-1FPRO4	Profil ◊ (Metallic Black)	839	517	33	-
RVS-1FSTHT	Steel ◊ (Metallic Black)	1203	567	3	34
RVS-1FSTXS	Steel XS (Metallic Black)	881	567	3	34
RVS-1FGBHT	Glass ◊	1209	573	8	39
RVS-1FB	Bauhaus (Metallic Black)	850	526	36	-
<b>Options</b>					
RVS-1FEK	Edge Kit	889	567	34*	-
RVS-1FCWK	Edge 'Cool Wall' Kit	893	578	59**	-
RVS-1FEPLUS	Edge+ Kit†	893	573	34#*	-

## STUDIO 2 FRAME DIMENSIONS (MM) & PRODUCT CODES

Product Code	Description	Width	Height	Frame Depth	Off-wall Depth
RVS-2FPRO4	Profil ◊ (Metallic Black)	1039	542	33	-
RVS-2FSTHT	Steel ◊ (Metallic Black)	1439	622	3	34
RVS-2FSTXS	Steel XS (Metallic Black)	1111	622	3	34
RVS-2FGBHT	Glass ◊	1445	628	8	39
RVS-2FB	Bauhaus (Metallic Black)	1050	554	36	-
<b>Options</b>					
RVS-2FEK	Edge Kit	1089	592	34*	-
RVS-2FCWK	Edge 'Cool Wall' Kit	1093	603	59**	-
RVS-2FEPLUS	Edge+ Kit†	1073	598	34#*	-

## STUDIO 3 FRAME DIMENSIONS (MM) & PRODUCT CODES

Product Code	Description	Width	Height	Frame Depth	Off-wall Depth
RVS-3FPRO4	Profil ◊ (Metallic Black)	1426	547	45	-
RVS-3FSTHT	Steel ◊ (Metallic Black)	1926	647	3	48
RVS-3FSTXS	Steel XS (Metallic Black)	1518	647	3	48
RVS-3FGBHT	Glass ◊	1932	653	8	53
RVS-3FB	Bauhaus (Metallic Black)	1437	559	49	-
<b>Options</b>					
RVS-3FEK	Edge Kit	1476	597	44.5*	-
RVS-3FCWK	Edge 'Cool Wall' Kit	1480	613	70**	-
RVS-3FEPLUS	Edge+ Kit†	1480	603	34#*	-

## STUDIO 2 DUPLEX FRAME DIMENSIONS (MM) & PRODUCT CODES

Product Code	Description	Width	Height	Frame Depth	Off-wall Depth
RVS-2FPRO4W	Profil - Wide◊ (Metallic Black)	1089	592	33	-
RVS-2FSTHT	Steel ◊ (Metallic Black)	1439	622	3	34
RVS-2FSTXS	Steel XS (Metallic Black)	1111	622	3	34
RVS-2FGBHT	Glass ◊	1445	628	8	39
RVS-2FBW	Bauhaus - Wide (Metallic Black)	1090	594	36	-
<b>Options</b>					
RVS-2FEKW	Edge Kit	1089	592	34*	-
RVS-2FCWKW	Edge 'Cool Wall' Kit	1093	603	59**	-
RVS-2FEPLUSW	Edge+ Kit†	1073	598	34#*	-

\* Once installed, Edge Kits are flush with the finished wall surface.

\*\* Once installed, Edge 'Cool Wall' Kits are recessed 28mm (Studio 1, 2 & 2 Duplex) or 13mm (Studio 3) from the finished surface.

# Depth is adjustable between 32mm and 52mm between Edge+ frame and kit when fitted.

◊ Registered European Designs 001169338\_0001/8

† The Edge+ kit is a complete kit including the decorative frame and has no requirement for, nor is compatible with, any other Edge or Cool Wall kits.

A HETAS approved installer should undertake a site survey prior to purchase and must install any Studio Fire or Stove. Your Stovax retailer will be able to advise on this and, in particular, the use of high temperature (1300°C) plaster/screed in the area around Studio Cassettes and Stoves. You may view/download complete installation instructions at our website - [www.stovax.com](http://www.stovax.com). These diagrams cover some of the basic requirements. All fires and stoves should be installed by a competent person to the requirement of Building Regulations (Document J) and include the fitting of adequate ventilation to ensure safe use. Usually older buildings do not need any additional ventilation for appliances up to 5kW, but modern houses will need additional ventilation in all cases. Some models can be fitted with an optional External Air Kit, or dedicated external air supply, offering a discreet and draught reducing solution to standard room venting. The diagrams and dimensions on these pages cover some of the basic requirements and are for initial information purposes only.



Studio 500 Ecodesign Edge with Victorian Corbel mantel in antique white marble.

## Edge, Edge+ and Cool Wall Kits

### Edge/Edge+ Kit

This kit is screw-mounted to the front flange of the outer firebox. The L-shaped attachments provide a 34/44.5mm† return against which high temperature plasterboard/screed can be butted up for the 'clean edge' look. The Edge Kit is made in aluminised steel which can then be painted to match the decor of your room. The Edge+ has a decorative slim frame that fits over the finished installation opening.

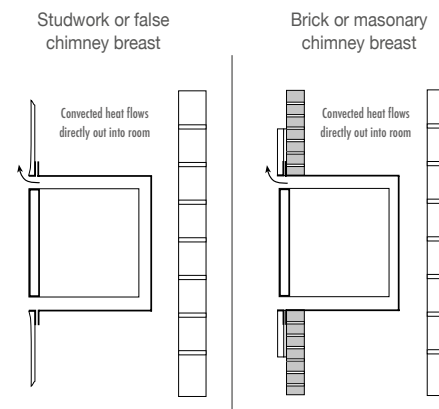
### Cool Wall Kit

Again, screw-mounted to the front flange of the outer firebox, the U-shaped attachments of the Cool Wall kit are designed primarily for studwork or false chimney breasts. The additional depth allows some of the heat to be vented up into the void above the firebox and then re-enter the room at a higher level. The effect is to produce a cooler wall immediately above the appliance than would otherwise be the case. The Cool Wall Kit is made in aluminised steel which can then be painted to match the decor of your room.

† 34mm Studio 500, 1 & 2 / 44.5mm Studio 3

#### Edge Kit / Edge+ Kit

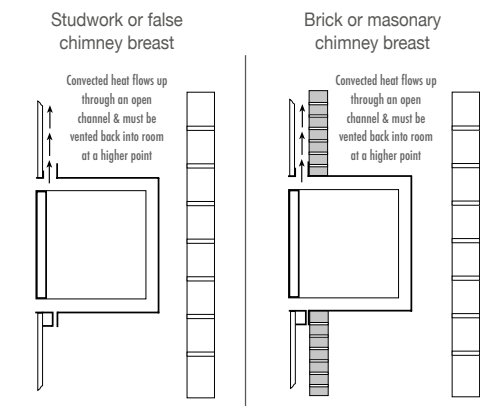
Installation method for:



Please note: Diagram shows an Edge Kit. An Edge+ Kit has an additional decorative frame that finishes the installation opening.

#### Cool Wall Kit

Installation method for:

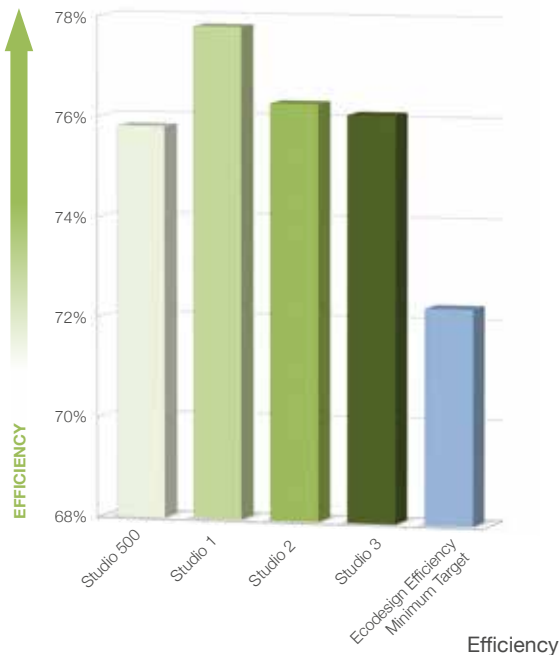


NB: When using the Edge Kit and Edge+ Kit, heat resistant board and high temperature finishing plaster must be used. Please refer to installation instructions for full details of both kits which can be downloaded from [www.stovax.com](http://www.stovax.com)

# STUDIO 500, 1, 2 & 3 EXCEEDING ECODESIGN

## Total efficiency - %

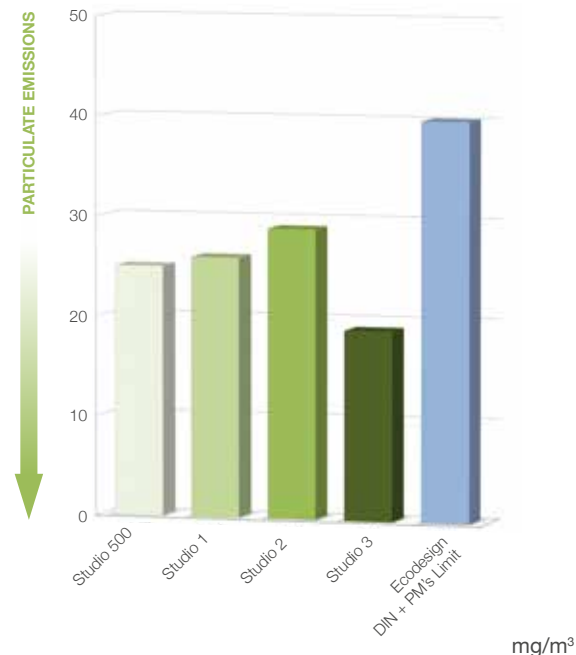
Balancing heating efficiency with cleanliness of burning is a precise science, requiring expert engineering and meticulous testing. Studio fires focus on delivering the cleanest burn possible whilst still surpassing the 2022 Ecodesign Efficiency target of 72.3%, resulting in a range of truly high efficiency products.



	Efficiency
Studio 500	75.8%
Studio 1	77.8%
Studio 2	76.3%
Studio 3	76.1%
Ecodesign 2022 Efficiency Minimum Target	72.3%

## PM (Particulate Matter) mg/m<sup>3</sup>

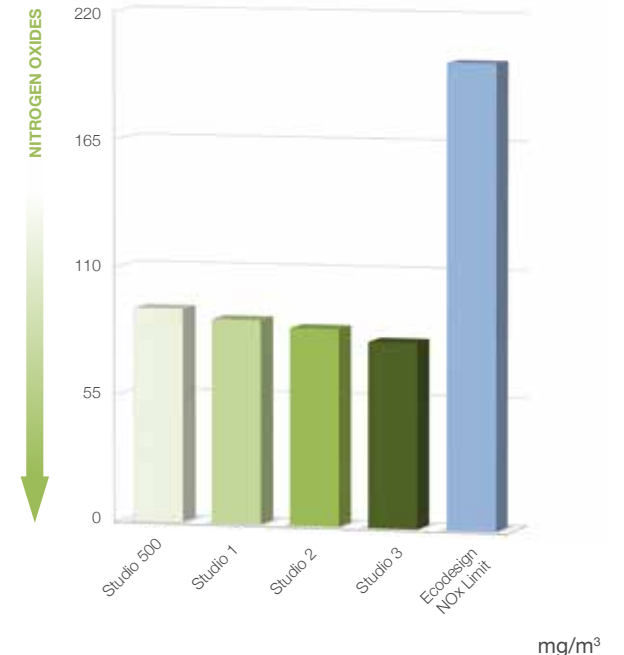
Although PMs are currently measured for UK smokeless zone requirements, the Ecodesign emission levels are much tighter than those currently permitted. Our Ecodesign Studio fires burn well below future PM targets, with some models generating only a third of the amount of permitted PM emissions.



	mg/m <sup>3</sup>
Studio 500	25
Studio 1	26
Studio 2	29
Studio 3	19
Ecodesign 2022 DIN + PM's Limit	40

## NOx (Nitrogen Oxides) mg/m<sup>3</sup>

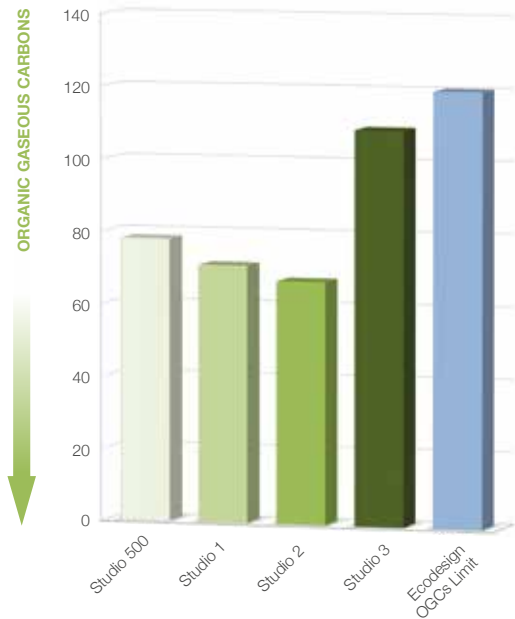
Nitrogen oxides affect air quality and are another emission requirement of Ecodesign. Ecodesign Ready Studio cassette and freestanding fires demonstrate NOx emissions well below the permitted levels.



	mg/m <sup>3</sup>
Studio 500	92
Studio 1	88
Studio 2	85
Studio 3	80
Ecodesign 2022 NOx Limit	200

## OGCs (Organic Gaseous compounds) mg/m<sup>3</sup>

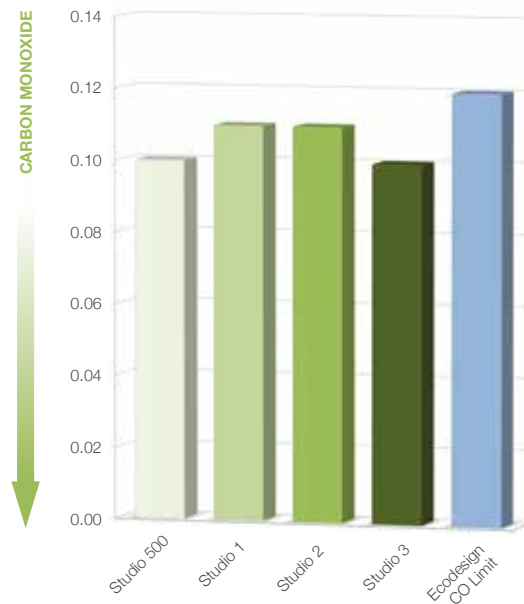
OGCs are an important requirement of the forthcoming 2022 Ecodesign standards. All Stovax Ecodesign Ready Studio emissions fall comfortably below this exacting target.



	mg/m <sup>3</sup>
Studio 500	78
Studio 1	71
Studio 2	67
Studio 3	109
Ecodesign 2022 OGCs Limit	120

## CO (Carbon Monoxide) % @ 13% O<sub>2</sub>

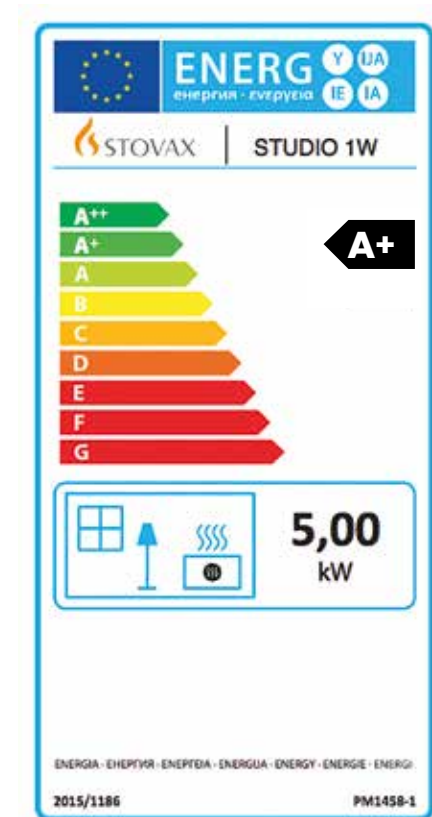
Ecodesign limits are set to dramatically reduce the current UK CO emission limits by a massive 88%, from 1% @ 13% O<sub>2</sub> to 0.12%. All Studio cassette and Freestanding fires meet this stringent forthcoming standard.



	% at 13% O <sub>2</sub>
Studio 500	0.10
Studio 1	0.11
Studio 2	0.11
Studio 3	0.10
Ecodesign 2022 CO Limit	0.12

## Energy Efficiency Rating

Studio woodburning Cassette & Freestanding fires burn with high thermal efficiency. All models in the range are subject to European energy labelling standards and are rated as either A or A+ energy class appliances. Energy class efficiency information is listed on each product page for easy reference.



# FURTHER | INFORMATION

## Stove Benches

These versatile steel benches are compatible with Stovax's freestanding contemporary stoves. With a variety of size options, they offer greater design possibilities to accommodate your individual styling requirements. You can even use the space beneath for log storage! <sup>Δ</sup>

- Sturdy Steel construction
- Choice of sizes available
- Durable Matt Black finish
- Proportioned 60mm wide legs
- Allows for central or offset stove positioning

Product Code	Product	W (mm)	H (mm)	D (mm)
RVACLB100BHT	Bench 100 Low	1000	250	420
RVACB100BHT	Bench 100 High	1000	350	420
RVACLB120BHT	Bench 120 Low	1200	250	420
RVACB120BHT	Bench 120 High	1200	350	420
RVACLB140BHT	Bench 140 Low	1400	250	420
RVACB140BHT	Bench 140 High	1400	350	420
RVACLB180BHT	Bench 180 Low	1800	250	465
RVACB180BHT	Bench 180 High	1800	350	465
RVACLB120BHT-DP	Bench 120 Low, (Deep)	1200	250	500
RVACB120BHT-DP	Bench 120 High (Deep)	1200	350	500
RVACLB140BHT-DP	Bench 140 Low, (Deep)	1400	250	500
RVACB140BHT-DP	Bench 140 High, (Deep)	1400	350	500
RVACLB180BHT-DP	Bench 180 Low, (Deep)	1800	250	500
RVACB180BHT-DP	Bench 180 High, (Deep)	1800	350	500

<sup>Δ</sup> Logs are not to be stored directly beneath the stove position.



## Professional XQ™ Chimney Systems and Enamelled Flue Pipe



Stovax also offers a comprehensive range of stove and fireplace chimney systems: the Stovax Professional XQ collection. Crafted from 304L grade stainless steel for a durable outer finish, the fully sealed components offer water tight protection for the insulation within.

With innovative decorative options, the ability to specify a colour for your system and with a host of technical advancements such as their Twist-Lock system, the Professional XQ range provides an attractive, versatile and reliable solution for your flue system. Furthermore, the Professional XQ range carries a 10 year extended warranty offering complete peace of mind. For further information or to request a brochure, simply contact your local retailer or visit: [www.stovax.com/chimneysystems](http://www.stovax.com/chimneysystems).

### ENAMELLED FLUE PIPE PRODUCT CODES

Description	153mm (6") Diameter
<b>Matt Black Flue Pipe</b>	
1' (305mm) straight without door	4600
1' (305mm) straight with door	4604
2' (610mm) straight without door	4601
2' (610mm) straight with door	4605
3' (915mm) straight without door	4602
3' (915mm) straight with door	4606
1'3" - 2'1" (380 - 635mm) telescopic without door	4642
3'4" - 4'6" (1015 - 1370mm) telescopic without door	4640
90° tee piece with end cap (for rear exit)	4616

# WIN

## the cost of your product back!

For further home inspiration you can **view real life installations** at our Customer Showcase page and share your thoughts and photos of your new stove or fire installation to enter our draw!

- We will publish your entry on our Customer Showcase
- You will be entered into a draw for the chance to win the cost of your product back
- **Gain a second entry** by registering your product online for your free extended warranty at [stovax.com/registration](http://stovax.com/registration)



**"Once we saw the Inset Stovax Studio woodburner we knew it was the one for us"**

View real life installations and submit your review at [stovax.com/customershowcase](http://stovax.com/customershowcase)

\* Terms and conditions apply. See online for details



## Register your fire and we'll plant a tree...

For every stove or fire registered for our Extended Warranty in the UK\*, Stovax and Certainly Wood, our recommended British Woodsure fuel supplier, will jointly fund the planting of a tree as part of our #GreenBritain campaign. Our goal is to plant 10,000 new trees each year in Britain.

Find out more at [stovax.com/GreenBritain](http://stovax.com/GreenBritain)

\* Mainland only

## Get your free Fire Starter Kit

You will also receive a free Fire Starter Kit from Certainly Wood when you register your fire\*. Inside you will find high quality, Woodsure "Ready to Burn" logs, kindling, natural firelighters, and a handy firewood guide so you can get the best out of your Stovax fire. There's also a £20 money-off voucher for your first Certainly Wood fuel order.

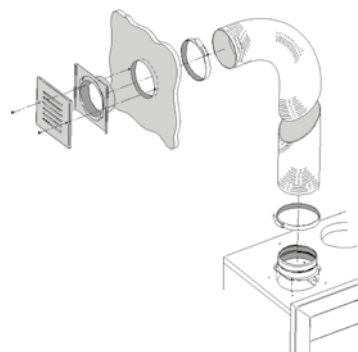
Visit our partner online at [certainlywood.co.uk](http://certainlywood.co.uk) for certified Woodsure Ready to Burn firewood.



# FURTHER | INFORMATION

## Warm Air Ducting kit

The kit, for the Studio cassette fires only, which includes two 3 metre lengths of flexible ducting, allows you to heat up to two other living spaces. The Studio 3 has four ports so you can even add two kits if required, providing heat for up to four additional rooms.



## Photography and Installation

Owing to variations in studio lighting and printing inks, the finishes/colours of fires illustrated in this brochure may differ slightly from actual models. Before purchasing, please ask your retailer to show you finish/colour samples.

All of the flame pictures shown in this brochure are taken from real fires. Please note however that flame pictures will vary depending on the exact fuel used, flue conditions and surrounding geographical features. Given that building regulations are subject to constant change, some of the photography in this brochure may not comply with the requirements of the latest Building Regulations and you should always check your proposed installation arrangement with your HETAS trained installer before proceeding.

When designing your own installation, please also observe the minimum distance to combustible materials as stated in the installation instructions when designing your own installation.

The 'Nominal' heat output is to be used for calculating the ventilation provision as required by ADJ Building Regulations and for calculating its suitability for heating the size of room it will be fitted into. The heat output 'Range' is to be used as a guide only as the maximum and minimum performance will depend on local conditions such as flue pull, fuel quality and the way in which the product is used.

## Extended Warranty and Safety Details

When you choose a Studio cassette or freestanding fire, quality and technology are assured. Accordingly, your Stovax retailer Stovax Expert Retailer will provide you with a Two Year Warranty for your new cassette or freestanding fire. This can then be extended to a Five Year warranty, provided it is registered with Stovax within one month of the later of the purchase date or installation date. Accordingly, the start date for the warranty period is the date of purchase. During the registration process the Expert Retailer details will be required for your Extended Warranty to be activated. Please note, these warranties exclude certain consumable parts. Fires purchased outside of Stovax's Expert Retailer Network will carry a standard 12 month non-extendable warranty. Full warranty terms & conditions are available to view at [www.stovax.com](http://www.stovax.com).



Stovax pursue a policy of continuous product improvement, therefore, whilst our products are correct at the time of the photography, we reserve the right to make alterations and amendments. Exact product details should be discussed with your retailer at the time of purchase.

Please note that all parts of these fires, particularly the glass panel in the door, become extremely hot during operation and can result in serious injury and burns if touched. It is therefore recommended that a fireguard complying with BS 8423:2002 is used in the presence of young children, the elderly or infirm.

## Care of your Stove or Fire

To help you get the best performance from your stove or fireplace and keep it in good condition, inside and out, Stovax offers a wide range of cleaning and maintenance products. Stovax also supplies a wide variety of fireplace accessories including fire screens and tool sets. Your local retailer will be able to give you full details or you may view the complete range at [www.stovax.com](http://www.stovax.com).



# MORE FIRES | FROM STOVAX



## STUDIO AIR CASSETTE AND FREESTANDING FIRES

In addition to the Studio Ecodesign range, Stovax also offer the new Studio Air Ecodesign range of cassette and Freestanding fires. These stunning landscape fires feature a stylish trim with three finish options including black, white and grey.



*Studio Air 1 Freestanding with White decorative trim on 120 Low Bench*



*Studio Air 1 Icon XS with Black decorative trim*

## ELISE AND VOGUE 700 CASSETTE FIRE RANGES

Alongside the Studio and Studio Air, the Elise and Vogue 700 cassette fire ranges offer alternative contemporary styles with similar combustion technology to provide high-efficiency, low-emission heating.



*Elise Steel 850 Ecodesign Edge woodburning*

Further information about these exciting ranges can be found in separate, dedicated brochures which can be requested from your local retailer or viewed online at [www.stovax.com](http://www.stovax.com).





Studio 1 Ecodesign Freestanding



Stovax Limited, Falcon Road, Sowton Industrial Estate, Exeter,  
Devon, England EX2 7LF, info@stovax.com, www.stovax.com

stovax.com



Stovax gratefully acknowledges the assistance of the following companies with photographic settings:

John Lewis - www.johnlewis.com • Original Style - www.originalstyle.com • Debenhams - www.debenhams.co.uk • Furniture Village - www.furniturevillage.com  
Habitat - www.habitat.co.uk • Grace & Glory - www.graceandgloryhome.co.uk • Amtico - www.amtico.com • House of Fraser - www.houseoffraser.co.uk  
Orange Tree - www.theorangetree.co.uk • Moko - www.mokodirect.com • Amos Lighting - www.amoslighting.co.uk • Desenio - www.desenio.com  
Grace & Glory - www.graceandgloryhome.co.uk • Oliver Bonas - www.oliverbonas.com • Chunky Monkey - www.chunkymonkeyfurniture.co.uk  
Walls and Floors - www.wallsandfloors.com • Sofarooms Upholstery - www.sofarooms.co.uk • Nkuku - www.nkuku.com • Tom Raffield - www.tomraffield.com  
Industville - www.industville.co.uk • Loaf - www.loaf.com



**IMPORTATORE ESCLUSIVO PER L'ITALIA**

**OEKOTHERM** - stufe | camini | design

Via J. Durst, 66 - Kampan Center

39042 Bressanone (BZ)

tel. 0472 802090

www.oekotherm.it

info@oekotherm.it





Studio 1 Ecodesign Freestanding



Stovax Limited, Falcon Road, Sowton Industrial Estate, Exeter,  
Devon, England EX2 7LF, info@stovax.com, www.stovax.com

stovax.com



Stovax gratefully acknowledges the assistance of the following companies with photographic settings:

John Lewis - www.johnlewis.com • Original Style - www.originalstyle.com • Debenhams - www.debenhams.co.uk • Furniture Village - www.furniturevillage.com  
Habitat - www.habitat.co.uk • Grace & Glory - www.graceandgloryhome.co.uk • Amtico - www.amtico.com • House of Fraser - www.houseoffraser.co.uk  
Orange Tree - www.theorangetree.co.uk • Moko - www.mokodirect.com • Amos Lighting - www.amoslighting.co.uk • Desenio - www.desenio.com  
Grace & Glory - www.graceandgloryhome.co.uk • Oliver Bonas - www.oliverbonas.com • Chunky Monkey - www.chunkymonkeyfurniture.co.uk  
Walls and Floors - www.wallsandfloors.com • Sofarooms Upholstery - www.sofarooms.co.uk • Nkuku - www.nkuku.com • Tom Raffield - www.tomraffield.com  
Industville - www.industville.co.uk • Loaf - www.loaf.com



Importatore esclusivo per l'Italia:

**OEKOTHERM**

stufe | caminetti | design

**IMPORTATORE ESCLUSIVO PER L'ITALIA**

**OEKOTHERM** - stufe | camini | design

Via J. Durst, 66 - Kampan Center

39042 Bressanone (BZ)

tel. 0472 802090

www.oekotherm.it

info@oekotherm.it



 STOVAX

# ELISE

FIRES AND FREESTANDING STOVES



# The Future Of Fire...

Designing a fire that essentially redefines what it means to burn cleanly requires a wholly **fresh approach**, which is why the Stovax Elise is very different.

Featuring unique airflow dynamics that facilitate **high efficiency**, state of the art combustion systems, the Elise range of cassette and freestanding fires produces magnificent rolling flames and ample warmth. **Lowering emissions** to an absolute minimum in comparison with open fires and older stoves, their progressive design makes them not only some of today's cleanest burning fires, but also compliant with future Ecodesign low emission standards.

The sum of over **38 years of British design and engineering**, the Elise is a **contemporary fire range** at the pinnacle of **solid fuel heating performance**.









# The Elise

---

Peace of Mind .....	06
Designed For Our Environment .....	08
Precision Performance .....	10
Elise Size Options .....	12
Individual Styling .....	13
Elise Edge .....	14
Elise Edge+ .....	16
Elise Profil .....	18
Freestanding Elise 680 Glass .....	20
Freestanding Elise 680 Steel .....	22
Technical Information - Cassette Fires .....	24
Technical Information - Freestanding Stoves ...	26
Exceeding Ecodesign .....	28
Additional Information .....	30

## VIEW THE VIDEO

To experience the Elise range's superb flame visuals and elegant styling, view our short showcase video at [www.stovax.com/elise](http://www.stovax.com/elise). Alternatively you can visit your local expert retailer.



# Peace Of Mind

Choosing a fire for your home shouldn't be complicated. We want you to enjoy the excitement and anticipation from the moment you pick up this brochure to the first time you light your kindling, and for many years after! That's why we have carefully selected Expert Retailers to help you.

## EXPERT RETAILER NETWORK

We take great care to ensure that our fires and stoves are designed, tested and manufactured to the highest possible quality and safety standards. It is just as important to us that they are sold and installed correctly so that you enjoy years of pleasure from your purchase.

Accordingly, you will find our products are only available from experienced, independent retailers who will be happy to show you a selection of models locally in their showrooms, often fully operational. These independent retailers will discuss your individual requirements both technical (such as sizing the heat output to your room and advising on your chimney system) and visual, ensuring you select the most appropriate product for your home. They will also be able to advise on, or assist with, the installation process and help provide any after-sales support as well as servicing that your appliance may require in the future.

Whilst we encourage our retailers to promote fireplace products and their outlets via the internet, we do not believe suitable levels of customer care and satisfaction can be obtained from purchasing the product only online. We would strongly recommend that you consider this when undertaking your research and making a purchasing decision. Furthermore, please be aware that we do not offer technical support (beyond our statutory responsibilities) to products bought via nationwide online sales, where this support would normally be offered by one of our qualified, independent retailers.

### FIND YOUR RETAILER

You can find your nearest retailer by visiting:  
[www.stovax.com/find-a-retailer](http://www.stovax.com/find-a-retailer)



## EXTENDED WARRANTY



When you choose an Elise fire or stove, quality and technology are assured. Accordingly, when you purchase your new fire from a Stovax Expert Retailer they will provide you with a Two Year Warranty. This can then be extended to a Five Year Warranty provided your Elise is registered with Stovax. Fires purchased outside Stovax's Expert Retailer Network will carry a standard One Year Warranty. By registering your fire you will be automatically entered into a prize draw where you can win the cost of the product back. Further details of this warranty are on page 31.



# Designed For Our Environment

## ECODESIGN READY STOVES & FIRES

We have always strived to create standout stoves and fires that not only provide superior flame visuals, but also minimise our environmental impact. Our advanced Cleanburn technology is the result of 38 years of experience and development, with many of our products approved for use in urban environments which are typically DEFRA smoke restricted areas.

However, producing DEFRA exempt appliances was only the beginning. New Ecodesign regulations are coming into force in 2022 to ensure stoves and fires burn with high efficiency and low emissions.

With this in mind, we have developed the Elise range to not only meet Ecodesign limits, but to go much further. Some models in the range burn so cleanly that emissions are minimised to as little as a fifth of the forthcoming 2022 requirements.

The Elise's advanced combustion system isolates air management in the specially designed base of the fire, so that airflow is calibrated precisely to ensure a far more complete burning process than standard fires can ever achieve. The result is significantly less flue gases that impact air quality, including Carbon Monoxide (CO), Nitrogen Oxide (NOx), Organic Gaseous Compounds (OGC), and Particulate Matter (PM).

We believe this is the future of solid fuel heating, which is why we offer the largest range of Ecodesign stoves and fires in the UK and Ireland.



## THE BENEFITS OF WOODBURNING

Unlike fossil fuels, wood releases approximately the same amount of carbon into the atmosphere as that absorbed during its growth, making it a virtually carbon neutral heat source.

Choosing one of our high efficiency low emission Elise fires is a great step towards burning responsibly. To ensure your fire provides optimum heating performance, only wood with a low moisture content should be burnt. Seasoned logs should be allowed to dry for at least two years or more to achieve a moisture content below 20%, which can be easily checked with a moisture meter. When purchasing seasoned or kiln dried wood, look for the Woodsure "Ready to Burn" certification which guarantees logs will have less than 20% moisture.

Good quality dry wood will not only provide a higher heat output than that of freshly felled timber, it will also avoid a build-up of tar in your flue and ensure low smoke emissions with clean and crisp flames.



## ENCOURAGING SUSTAINABLE WOODLAND

We are working with Certainly Wood, our recommended Woodsure "Ready to Burn" fuel supplier, who pride themselves on making an impact on environmental targets by championing sustainability.

When you register your new Elise, the Stovax Heating Group and Certainly Wood will jointly fund the planting of a tree. For more information, see page 31.

Our goal is to plant up to 10,000 new trees each year to make a tangible contribution to sustainable woodland creation.



## WOOD OR SMOKELESS FUEL

All Elise fires and stoves, including multi-fuel versions, are designed to burn wood with high efficiency. Elise cassette models are available in both dedicated woodburning versions and multi-fuel versions, which will allow you to burn either logs or smokeless fuel to suit your lifestyle.

## SMOKE CONTROL AREA APPROVAL

Many town and city homes are located in DEFRA Smoke Control Areas as designated by the 1993 Clean Air Act. The Elise range has been approved for the burning of wood in these areas, meaning that even the most urban of homes can benefit from this natural fuel source.



## CE MARKED & HETAS ACCREDITED

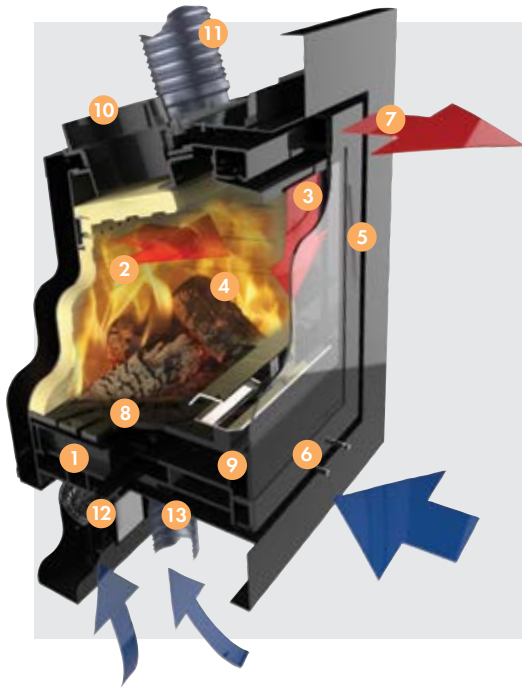
All stoves and fires in the Elise range are CE Marked. This means they have been independently tested to exacting European standards for both heating efficiency and emissions. In addition, they have also been accredited by HETAS, the UK's official body recognised by the government to approve solid fuel domestic heating appliances.



# Precision Performance



Every Stovax stove and fire is characterised by a precise balance of efficiency, performance and user control. The Elise is the result of these elements being taken to new levels, to create a solid fuel fire at the forefront of innovation. Utilising a series of advanced plenum chambers coupled with powerful air jets, airflow is instantly adjusted and delivered with precision accuracy to multiple areas of the tapered firebox. This technology facilitates the Elise's Ecodesign combustion process which reduces emissions to remarkably low amounts whilst maintaining high levels of thermal efficiency. The Elise's design also means they are DEFRA smoke control zone exempt, making them an excellent choice for rural and urban homes alike.



## ELISE KEY DESIGN FEATURES

1. Unique plenum chambers manage exactly calibrated airflows
2. Air jets deliver precision airflow for optimal burning conditions
3. Powerful Airwash ensures a clear view of flames
4. Scalloped, high density thermal brick liner system
5. Airtight door with twin latch dampened mechanism for easy closing
6. Easy to use air controls for instant adjustment of flame visual and heat
7. Convected and radiant heat delivery
8. External riddling grate (multi-fuel cassette models)
9. Removable ashpan (multi-fuel cassette models)
10. Top or rear exit
11. Warm air ducting kit (optional)
12. Fan assisted convection kit (optional)
13. Sealed external air supply (optional)
14. Optional plinth (Freestanding models only, not shown)



## SEALED EXTERNAL AIR SUPPLY

Designed from conception to be airtight, Elise fires can be optionally installed with a dedicated external air supply, meaning the fire does not need to draw any oxygen from the room. This potentially negates the need for an additional air vent, therefore minimising drafts.



## FAN ASSISTED CONVECTION KIT

Installing an optional fan kit with your Elise fire helps circulate convection air, increasing burning efficiency and improving heat delivery into the room. With both manual and automatic settings, the fan kit is conveniently operated by the Elise Control Panel.

## WARM AIR DUCTING KIT

With the addition of the warm air ducting kit, Elise fires are capable of heating up to two additional living spaces, allowing you to truly make the most of your fire and reduce your reliance on your central heating system.



Freestanding Elise Glass 680 multi-fuel burning logs on 140 Low Bench (500mm deep)

# Elise Size Options

The Elise's choice of sizes and heat outputs lets you easily select the fire that suits your heating requirements. Once you have decided on the size and type of your Elise, you can then choose how to style your fire to suit your home, with various options including door fronts and cassette fire frames listed overleaf. This brochure is divided into cassette fires (pages 14 – 19), organised by frame style, and the Freestanding 680 fires (pages 20 – 23).

## SIZE CHOICES

### ELISE 540

### ELISE 680

Heat Output	Nominal: 5kW Range: 3-7kW	Nominal: 7kW-8kW* Range: 4-11kW
Energy Efficiency Class	<b>A+</b>	<b>A</b>
Maximum Efficiency	83%	79%
Wood & Multi-fuel models	✓	✓
Smoke Control Exempt	✓	✓
Maximum Log Length	330mm	500mm
Recommended Log Length	250mm	330mm
Firebox Dimensions (w x h x d)	540 x 550 x 350mm	680 x 550 x 395mm
Flue Connection (internal diameter)	153mm (6")	153mm (6")
Freestanding model available	-	✓
Room vent not normally required*	✓	-

\*For further fire information including room vents, please see page 24.



ELISE 540



ELISE 680



Elise Glass 680 multi-fuel burning logs with Four Sided Edge+ Frame

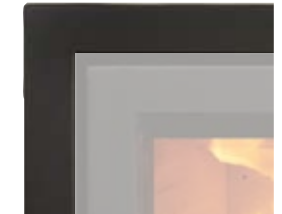
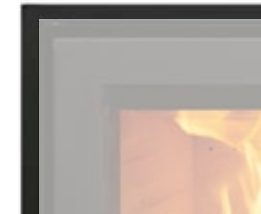


# Individual Styling

## CASSETTE FRAMING CHOICES

Elise cassette fires are presented in a variety of framing styles including four sided frames for elevated installations, and three sided frames for hearth mounted installations. Shown in detail throughout the cassette section of this brochure, these frames illustrate the different ways your Elise fire can be styled. Using the Edge kit that comes with the fire, Elise cassettes can also be installed without a frame for a minimalist hole-in-the-wall look.

EDGE .....P14    EDGE+ .....P16    PROFIL .....P18



THREE OR FOUR SIDED FRAMES



STEEL

GLASS

## GLASS OR STEEL DOORS

All Elise fires and stoves can be selected as either Glass or Steel versions depending on your tastes. For a striking aesthetic, the Elise Glass models offer a sleek black glass door which dramatically contrasts with the fire's stunning flame visuals.

# Elise Edge

 [View the Video](http://www.stovax.com/elise)  
www.stovax.com/elise



Elise Steel 540 multi-fuel Edge burning logs.  
Also shown: Stovax Highline Log Store

Capturing minimalist styling and clean modernity, the frameless Edge integrates with your surrounding décor, creating a breathtaking hole-in-the-wall focal point.

	Nominal Heat Output & Range	Recommended Log Length	Maximum Log Length	Edge Dimensions (w x h)
Elise 540	5kW (3-7kW)	250mm	330mm	530 x 550mm
Elise 680	7kW-8kW* (4-11kW)	330mm	500mm	670 x 550mm

\*For further fire information see page 24.



Elise Glass 680 Edge woodburning. Shown with Stovax Small Curved Log Holder



Elise Steel 540 woodburning with Four Sided Edge+ Frame.  
Also shown: Stovax Contemporary Fire Tools and Wall Bracket.

# Elise Edge+

 [View the Video](http://www.stovax.com/elise)  
www.stovax.com/elise



Elise Glass 680 woodburning with Three Sided Edge+ Frame.

Offering increased flexibility, the Edge+ continues the minimalist styling of the original Edge design but allows for easier finishing.

Available in both 3 sided and 4 sided versions, the Edge+ adds an extremely narrow trim which overlays the finished wall surface, preserving the hole-in-the-wall style and creating a clean border around both Elise sizes.

See page 25 for additional image.

	Nominal Heat Output & Range	Recommended Log Length	Maximum Log Length	3 Sided Edge+ Dimensions (WxHxD)	4 Sided Edge+ Dimensions (WxHxD)
Elise 540	5kW (3-7kW)	250mm	330mm	571 x 569 x 3mm	571 x 588 x 3mm
Elise 680	7kW-8kW* (4-11kW)	330mm	500mm	711 x 569 x 3mm	711 x 588 x 3mm

\*For further fire information see page 24.



Elise Steel 680 woodburning with Four Sided Profil Frame

# Elise Profil

 [View the Video](http://www.stovax.com/elise)  
www.stovax.com/elise



Elise Steel 540 woodburning with Three Sided Profil Frame. Also shown Stovax Large Radius Log Holder.



With its subtle styling and sophisticated Metallic Black finish, the Profil frame complements the Elise's clean, elegant lines and fits effortlessly with almost any interior.

This adaptable frame is available in both three sided and four sided options, allowing for either hearth mounted or elevated installations.

See pages 4, 7, 30 and Front Cover for additional images.

	Nominal Heat Output & Range	Recommended Log Length	Maximum Log Length	3 Sided Profil Dimensions (WxHxD)	4 Sided Profil Dimensions (WxHxD)
Elise 540	5kW (3-7kW)	250mm	330mm	631 x 599 x 38mm	631 x 648 x 38mm
Elise 680	7kW-8kW* (4-11kW)	330mm	500mm	771 x 599 x 38mm	771 x 648 x 38mm

\*For further fire information see page 24.



# Freestanding Elise 680 Glass



Freestanding Elise Glass 680 woodburning on 140 Low Bench (500mm deep)

Featuring an expansive viewing window for a spectacular flame picture, the Freestanding 680 offers a powerful 7kW of heat output in an eye-catching, landscape form. This versatile woodburning stove has the option of either a lustrous black Glass (pictured) or Steel front (pages 22 - 23) and can be hearth mounted or styled with a matching plinth or stove bench.

	Nominal Heat Output & Range	Recommended Log Length	Maximum Log Length	Dimensions (w x h x d)
Elise 680	7kW* (4 - 11kW)	330mm	500mm	683 x 560 x 440mm

\* For further fire information see page 27.



[View the Video](http://www.stovax.com/elise)  
www.stovax.com/elise

# Freestanding Elise 680 Steel



Freestanding Elise Steel 680 woodburning

The Freestanding Elise 680 woodburning fires offer all the range's signature heating performance in a stylish stove format. Available in either Glass (pages 20 - 21) or Steel fronted options, the Steel (pictured) features a subtle metallic black door frame that matches the optional plinth base or bench mounting options.

See pages 26 and back cover for additional image.

	Nominal Heat Output & Range	Recommended Log Length	Maximum Log Length	Dimensions (w x h x d)
Elise 680	7kW* (4 - 11kW)	330mm	500mm	683 x 560 x 440mm



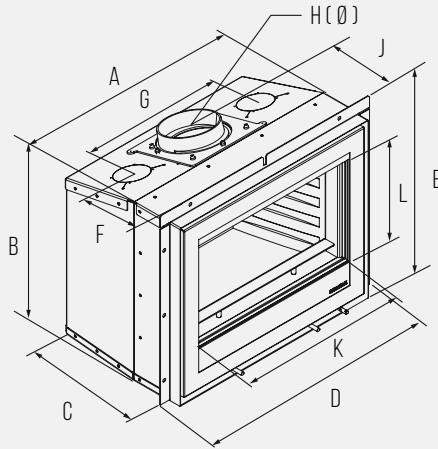
[View the Video](http://www.stovax.com/elise)  
www.stovax.com/elise

\* For further fire information see page 27.

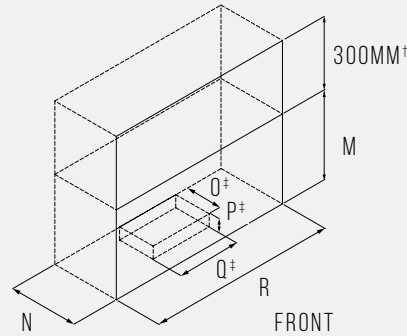


# Technical Information - Cassette Fires

## CASSETTE DIMENSIONS



## OPENING DIMENSIONS



	ELISE 540	ELISE 680
A	540mm	680mm
B	550mm	550mm
C	350mm	395mm
D	604mm	744mm
E	588mm	588mm
F	203mm	250mm
G	380mm	440mm
H (Ø)	153mm	153mm
J	205mm	250mm
K (Flame Viewing Area)	398mm	538mm
L (Flame Viewing Area)	320.5mm	317.5mm
M	570mm	570mm
N	360mm	405mm
O	100mm †	100mm †
P	250mm †	250mm †
Q	365mm †	365mm †
R	560mm	700mm

† Extra height required when fitting Warm Air Ducting kit.

‡ Not applicable unless a fan kit is required.

## ELISE CASSETTE FIRE INFORMATION & PRODUCT CODES

Product Code	Description	Heat Output	Fuel Type	Efficiency	Energy Efficiency Class
ELS-540-W	Elise Steel 540 Woodburning ✓	5.0kW	Wood	81%	A+
ELS-540-MF	Elise Steel 540 Multi-fuel ✓	5.0kW	Multi-fuel	83%	A+
ELS-680-W	Elise Steel 680 Woodburning ✓	7.0kW	Wood	77%	A
ELS-680-MF	Elise Steel 680 Multi-fuel ✓	8.0kW	Multi-fuel	79%	A
ELS-540-GLW	Elise Glass 540 Woodburning ✓	5.0kW	Wood	81%	A+
ELS-540-GLMF	Elise Glass 540 Multi-fuel ✓	5.0kW	Multi-fuel	83%	A+
ELS-680-GLW	Elise Glass 680 Woodburning ✓	7.0kW	Wood	77%	A
ELS-680-GLMF	Elise Glass 680 Multi-fuel ✓	8.0kW	Multi-fuel	79%	A

✓ Elise fires with this symbol have been approved for use in Smoke Control Area when fitted with the supplied kit

**A HETAS approved installer should undertake a site survey prior to purchase and must install any Elise Fire.** Your Stovax retailer will be able to advise on this and, in particular, the use of high temperature (1300°C) plaster/screed in the area around Elise Cassettes. You may view/download complete installation instructions at our website - [www.stovax.com](http://www.stovax.com).

These diagrams cover some of the basic requirements and are for initial information purposes only. All fires and stoves should be installed by a competent person to the requirement of Building Regulations (Document J) and include the fitting of adequate ventilation to ensure safe use. Usually older buildings do not need any additional ventilation for appliances up to 5kW, but modern houses will need additional ventilation in all cases. Some models can be fitted with a dedicated external air supply, offering a discreet and draught reducing solution to standard room venting.

# Frame Information

Supplied as an Edge, each model can also be upgraded with the frame options below.

## ELISE 540 FRAME DIMENSIONS (MM) & PRODUCT CODES

Product Code	Description	Width	Height	Depth
ELS-540-FEPLUS3	Edge+ (3 Sided)	571	569	3
ELS-540-FEPLUS4	Edge+ (4 Sided)	571	588	3
ELS-540-FPRO3B	Profil (3 Sided)	631	599	38
ELS-540-FPRO4B	Profil (4 Sided)	631	648	38

## ELISE 680 FRAME DIMENSIONS (MM) & PRODUCT CODES

Product Code	Description	Width	Height	Depth
ELS-680-FEPLUS3	Edge+ (3 Sided)	711	569	3
ELS-680-FEPLUS4	Edge+ (4 Sided)	711	588	3
ELS-680-FPRO3B	Profil (3 Sided)	771	599	38
ELS-680-FPRO4B	Profil (4 Sided)	771	648	38

## ELISE CASSETTE FIRE ACCESSORY PRODUCT CODES

Product Code	Description
ELS-ABASE-SM	Outside Air Kit - Base Fitting - Elise 540†
ELS-AREAR-SM	Outside Air Kit - Rear Fitting - Elise 540
ELS-ABASE-LG	Outside Air Kit - Base Fitting - Elise 680†
ELS-AREAR-LG	Outside Air Kit - Rear Fitting - Elise 680
RVST-500FAN	Fan Assisted Convection Kit - Elise 540*
8572	Warm Air Ducting Kit - suitable for all Elise fires

\* Fan Assisted Convection Kits NOT suitable for hearth mounted installations.

† An outside Air Kit with Base Fitting must be used when the fire is also fitted with a Fan Assisted Convection Kit.



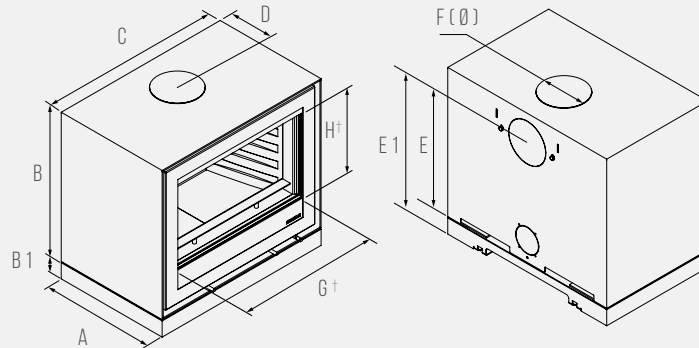
Elise Glass 680 woodburning with Four Sided Edge+ Frame



# Technical Information - Freestanding Stoves

## FREESTANDING ELISE STOVE DIMENSIONS (MM)

	680
A	440
B	560
B1*	65
C	683
D	164.5
E	451
E1*	516
F (Ø)	152
G†	538
H†	317.5



† Flame Viewing Area. The raised log bar on multi-fuel models reduces the height of the flame viewing area by 25mm.

\*with optional plinth

## FREESTANDING ELISE STOVE ACCESSORY PRODUCT CODES

Product Code	Description
ELSF-680-PS	Freestanding Elise 680 Plinth
ELS-ABASE-LG	Elise 680 Outside Air Base Exit
ELS-AREAR-LG	Elise 680 Outside Air Rear Exit

## FREESTANDING ELISE STOVE BENCHES

Product Code	Product	W (mm)	H (mm)	D (mm)
RVACLB120BHT-DP	Bench 120 Low, (500mm Deep)	1200	250	500
RVACB120BHT-DP	Bench 120 High (500mm Deep)	1200	350	500
RVACLB140BHT-DP	Bench 140 Low, (500mm Deep)	1400	250	500
RVACB140BHT-DP	Bench 140 High, (500mm Deep)	1400	350	500
RVACLB180BHT-DP	Bench 180 Low, (500mm Deep)	1800	250	500
RVACB180BHT-DP	Bench 180 High, (500mm Deep)	1800	350	500

## FREESTANDING ELISE STOVE INFORMATION & PRODUCT CODES

Product Code	Description	Heat Output	Fuel Type	Efficiency	Energy Efficiency Class
--------------	-------------	-------------	-----------	------------	-------------------------

### FREESTANDING ELISE GLASS

ELSF-680-GLW	Freestanding Elise Glass 680 Woodburning	7.0kW	Wood	77%	A
--------------	--	-------	------	-----	---

### FREESTANDING ELISE STEEL

ELSF-680-W	Freestanding Elise Steel 680 Woodburning	7.0kW	Wood	77%	A
------------	--	-------	------	-----	---

A HETAS approved installer should undertake a site survey prior to purchase and must install any Freestanding Elise Stove. You may view/download complete installation instructions at our website - [www.stovax.com](http://www.stovax.com). These diagrams cover some of the basic requirements. All fires and stoves should be installed by a competent person to the requirement of Building Regulations (Document J) and include the fitting of adequate ventilation to ensure safe use. Usually older buildings do not need any additional ventilation for appliances up to 5kW, but modern houses will need additional ventilation in all cases. All models can be fitted with an optional dedicated external air supply, offering a discreet and draught reducing solution to standard room venting. It is important to understand and comply with any additional commissioning requirements when this kit is fitted. The diagrams and dimensions on these pages cover some of the basic requirements and are for initial information purposes only.

Elise fires with this symbol have been approved for use in Smoke Control Areas when fitted with the supplied kit



Bench 120 Low, (500mm Deep)  
(RVACLB120BHT-DP)



Bench 180 Low, (500mm Deep)  
(RVACLB180BHT-DP)



Bench 120 High (500mm Deep)  
(RVACB120BHT-DP)



Bench 180 High, (500mm Deep)  
(RVACB180BHT-DP)



Bench 140 Low, (500mm Deep)  
(RVACLB140BHT-DP)

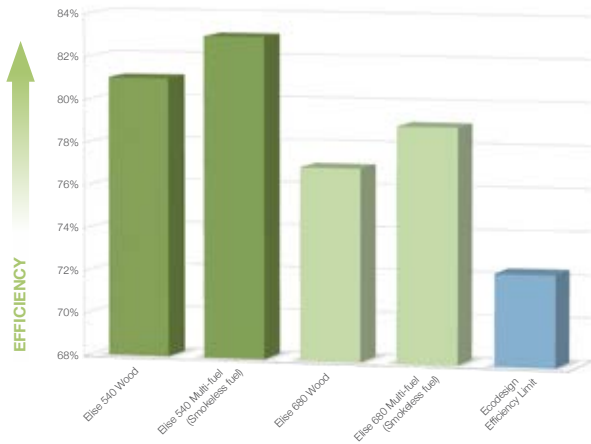


Bench 140 High, (500mm Deep)  
(RVACB140BHT-DP)

# Exceeding Ecodesign

## TOTAL EFFICIENCY - %

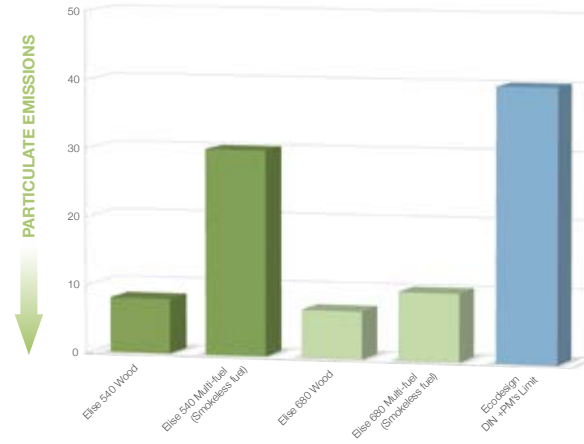
Balancing a fire's efficiency with cleanliness of burning is a precise science, requiring expert craftsmanship and meticulous testing. All Elise stoves and fires focus on delivering the cleanest burn possible whilst still surpassing the 2022 Ecodesign Efficiency target of 72.3%.



	Efficiency
■ Elise 540 - Woodburning model	81%
■ Elise 540 - Multi-fuel model*	83%
■ Elise 680 - Woodburning model	77%
■ Elise 680 - Multi-fuel model*	79%
■ Ecodesign 2022 Efficiency Minimum Target	72.3%

## PM (PARTICULATE MATTER) mg/m<sup>3</sup>

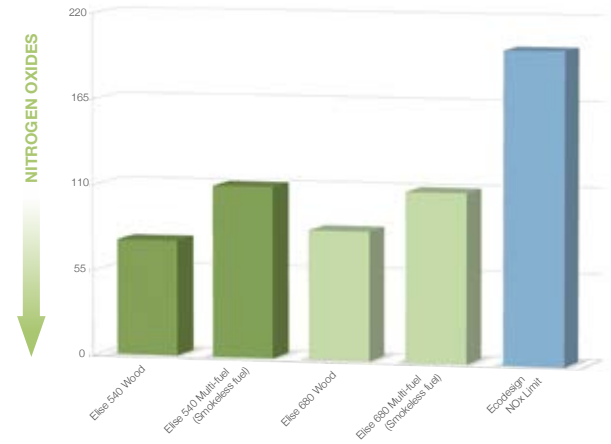
Although PMs are currently measured for UK smokeless zone requirements, the Ecodesign emission levels will be much tighter than those currently permitted for smokeless zones. Elise stoves and fires burn well below future PM targets, with the Elise 540 generating only a fifth of the emissions permitted under Ecodesign.



	mg/m <sup>3</sup>
■ Elise 540 - Woodburning model	8
■ Elise 540 - Multi-fuel model*	30
■ Elise 680 - Woodburning model	7
■ Elise 680 - Multi-fuel model*	10
■ Ecodesign 2022 Efficiency Minimum Target	40

## NO<sub>x</sub> (NITROGEN OXIDES) mg/m<sup>3</sup>

Nitrogen oxides affect air quality and are on emission requirement under Ecodesign. All models in the Elise range demonstrate NO<sub>x</sub> emissions so low, they are less than 60% of the amount permitted by the proposed 2022 limits, demonstrating the Elise range's extraordinary burning performance.

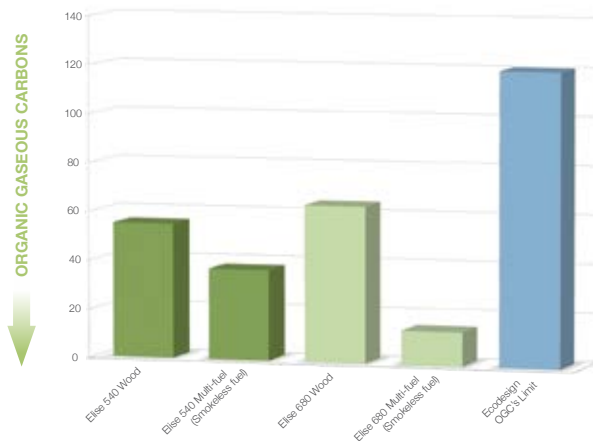


	mg/m <sup>3</sup>
■ Elise 540 - Woodburning model	74
■ Elise 540 - Multi-fuel model*	110
■ Elise 680 - Woodburning model	83
■ Elise 680 - Multi-fuel model*	109
■ Ecodesign 2022 Efficiency Minimum Target	200

\*Multi-fuel model figures quoted burning smokeless fuel

## OGCs (ORGANIC GASEOUS COMPOUNDS) $\text{mg}/\text{m}^3$

OGCs are also an important requirement of the forthcoming 2022 Ecodesign standard. And all models in the Elise range fall well below these exacting emission targets.

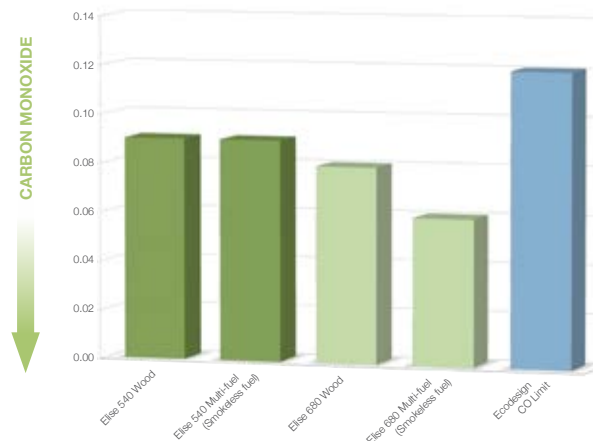


	$\text{mg}/\text{m}^3$
Elise 540 - Woodburning model	55
Elise 540 - Multi-fuel model*	37
Elise 680 - Woodburning model	64
Elise 680 - Multi-fuel model*	14
Ecodesign 2022 Efficiency Minimum Target	120

\*Multi-fuel model figures quoted burning smokeless fuel

## CO (CARBON MONOXIDE) % @ 13% $\text{O}_2$

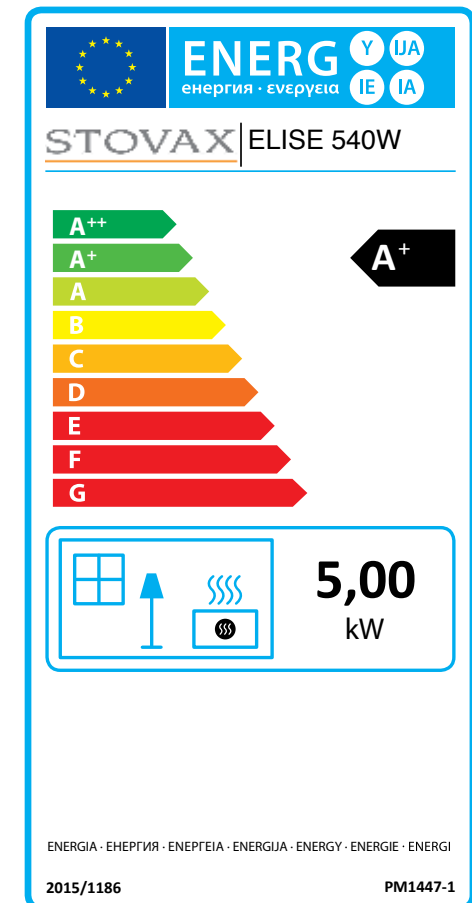
Ecodesign limits are set to dramatically reduce the current UK Carbon Monoxide emission limits by a massive 88%, from 1% @ 13%  $\text{O}_2$  to 0.12%. All Elise models, again meet this stringent forthcoming standard.



	% at 13% $\text{O}_2$
Elise 540 - Woodburning model	0.09
Elise 540 - Multi-fuel model*	0.09
Elise 680 - Woodburning model	0.08
Elise 680 - Multi-fuel model*	0.06
Ecodesign 2022 Efficiency Minimum Target	0.12

## ENERGY EFFICIENCY RATING

Elise woodburning and multi-fuel fires and stoves burn with high thermal efficiency. All models in the range are subject to European energy labelling standards and are rated as either A or A+ energy class appliances. For individual product information, see page 12.



# Additional Information

## PHOTOGRAPHY AND INSTALLATION

Due to variations in studio lighting and printing inks, the finishes/colours of fires illustrated in this brochure may differ slightly from actual models. Before purchasing, please ask your retailer to show you finish/colour samples.

All of the flame pictures shown in this brochure are taken from real fires. Please note however that flame pictures will vary depending on the exact fuel used, flue conditions and surrounding geographical features. Given that building regulations are subject to constant change, some of the photography in this brochure may not comply with the requirements of the latest building regulations and you should always check your proposed installation arrangement with your HETAS trained installer before proceeding.

When designing your own installation, please also observe the minimum distance to combustible materials as stated in the installation instructions.

Stovax pursues a policy of continuous product improvement, therefore, whilst our products are correct at the time of the photography, we reserve the right to make alterations and amendments. Exact product details should be discussed with your retailer at the time of purchase.

The 'Nominal' heat output is to be used for calculating the ventilation provision as required by ADJ Building Regulations and for calculating its suitability for heating the size of room it will be fitted into. The heat output 'Range' is to be used as a guide only as the maximum and minimum performance will depend on local conditions such as flue pull, fuel quality and the way in which the product is used.

## IMPORTANT SAFETY INFORMATION

Please note that all parts of these fires, particularly the glass panel in the door, become extremely hot during operation and can result in serious injury and burns if touched. It is therefore recommended that a fireguard complying with BS 8423:2002 is used in the presence of young children, the elderly or infirm. In addition, by law all installations also require a Carbon Monoxide monitor (such as product code 3045 available from Stovax).





Freestanding Elise Steel 680 woodburning with plinth.  
Shown with large curved log holder from Stovax.



Stovax Limited, Falcon Road, Sowton Industrial Estate, Exeter,  
Devon, England EX2 7LF, info@stovax.com www.stovax.com

A member of the Stovax Group



Stovax gratefully acknowledges the assistance of the following companies with photographic settings:

John Lewis - www.johnlewis.com • Sofarooms Upholstery - www.sofarooms.co.uk • Tom Raffield - www.tomraffield.com • Indusville - www.indusville.co.uk  
House of Fraser - www.houseoffraser.co.uk • Orange Tree - www.theoranjtree.co.uk • Moko - www.mokodirect.com • Amos Lighting - www.amoslighting.co.uk  
Chunky Monkey - www.chunkymonkeyfurniture.co.uk • Easy Art - www.easyart.com • Walls and Floors - www.wallsandfloors.com • Nkuku - www.nkuku.com  
Oliver Bonas - www.oliverbonas.com • Desenio - www.desenio.com • LPD Furniture - www.lpdfurniture.co.uk • Furniture Village - www.furniturevillage.com  
Habitat - www.habitat.co.uk • Grace & Glory - www.graceandgloryhome.co.uk • Carpet Right - www.carpetright.co.uk • Original Style - www.originalstyle.com  
Debenhams - www.debenhams.co.uk • Opies - www.opiesuk.co.uk • Amtico - www.amtico.com • Loaf - www.loaf.com



Importatore esclusivo per l'Italia:

**OEKOTHERM**

stufe | caminetti | design

**IMPORTATORE ESCLUSIVO PER L'ITALIA**

**OEKOTHERM** - stufe | camini | design

Via J. Durst, 66 - Kampan Center  
39042 Bressanone (BZ)  
tel. 0472 802090  
info@oekootherm.it  
www.oekootherm.it

